

**MATERIAL & FINISH:**

- 1 BODY: BRASS, NICKEL PLATED
- 2 CENTER CONTACT: BRASS, GOLD PLATED
- 3 COUPLING NUT: BRASS, NICKEL PLATED
- 4 RETAINING RING: PHOSPHOR BRONZE, UNPLATED
- 5 INSULATOR: PTFE
- 6 GASKET: SILICONE RUBBER

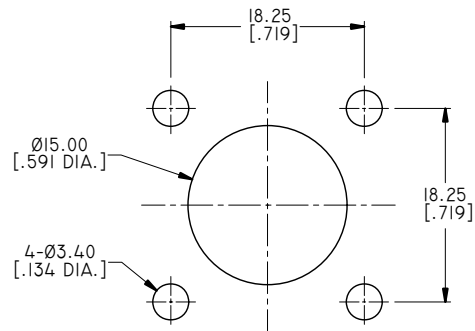
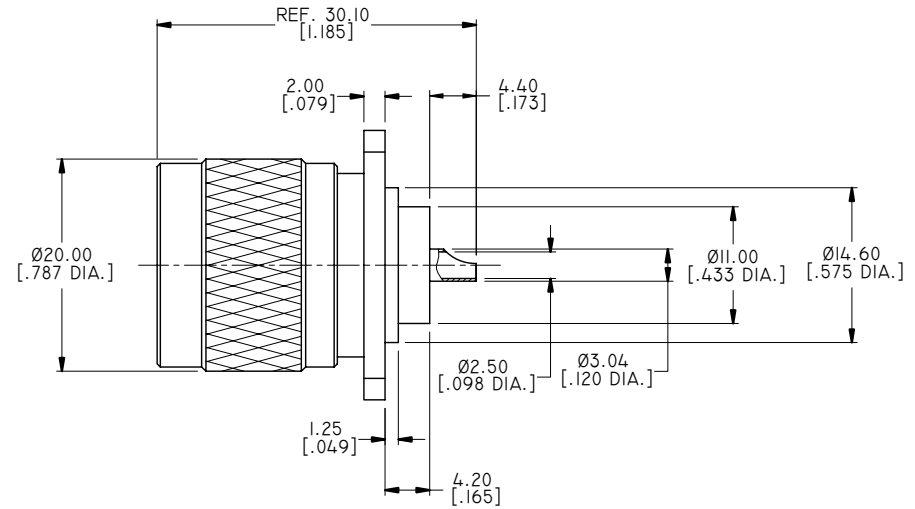
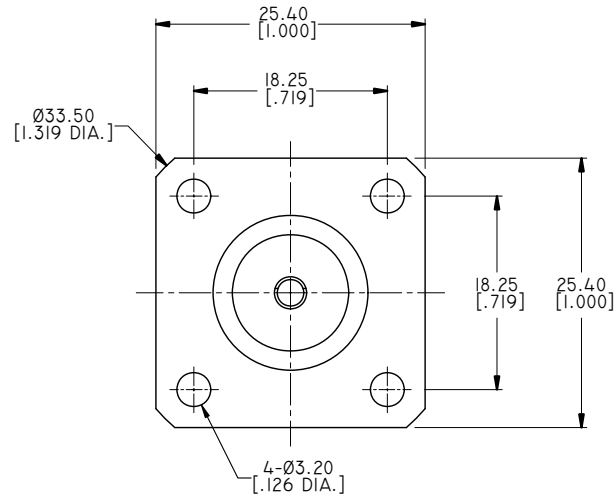
**ELECTRICAL DATA:**

- 1 IMPEDANCE: 50 Ω
- 2 FREQUENCY RANGE: DC~11 GHz

**ENVIRONMENTAL DATA:**

- 1 TEMPERATURE RANGE: -55°C~+125°C
- 2 2011/65/EU (RoHS): COMPLIANT

REVISIONS			
REV.	DESCRIPTION	DATE	APPROVED
A	INITIAL RELEASE	09/16/08	J. QU
B	1. 1.25 [.049] WAS 1.00 [.039] 2. 4.20 [.165] WAS 4.00 [.157] 3. 30.10 [1.185] WAS 29.60 [1.165]	07/05/17	J. QU



RECOMMENDED MOUNTING HOLE

DRAWN	X. B. YANG	DATE	07/05/17
CHECKED	L. YANG	DATE	07/05/17
APPROVED	J. QU	DATE	07/05/17
UNLESS OTHERWISE SPECIFIED DIMENSIONS ARE IN MILLIMETERS. DIMENSIONS IN [ ] ARE IN INCHES FOR CUSTOMER REFERENCE ONLY UNLESS OTHERWISE SPECIFIED TOLERANCE ARE:		THESE DRAWINGS AND SPECIFICATIONS ARE THE PROPERTY OF ANOISON ELECTRONICS LTD AND SHOULD NOT BE USED WITHOUT WRITTEN PERMISSION COPYRIGHT © 2017 ANOISON ELECTRONICS LTD	
.XX	±0.13 [.005"]		
.X	±0.20 [.008"]		
X	±0.50 [.019"]		
.X°	±1°		
X°	±2°		



TITLE  
N STRAIGHT MALE  
4 HOLE FLANGE WITH SOLDER POT CONTACT

VIEW	PART NO. ANO 5111-3004			
SIZE	A3	SCALE	2:1	SHEET 1/1
REV.	B			