

4

5

2

1

MATERIAL & FINISH:

- 1 BODY: BRASS, ALBALOY PLATED
- 2 CENTER CONTACT: PHOSPHOR BRONZE, SILVER PLATED
- 3 INSULATOR: PEI
- 4 COUPLING NUT: BRASS, ALBALOY PLATED
- 5 O-RING: SILICONE RUBBER

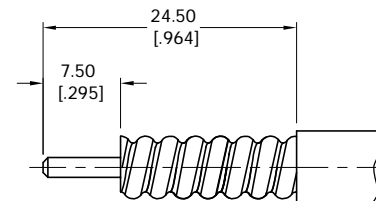
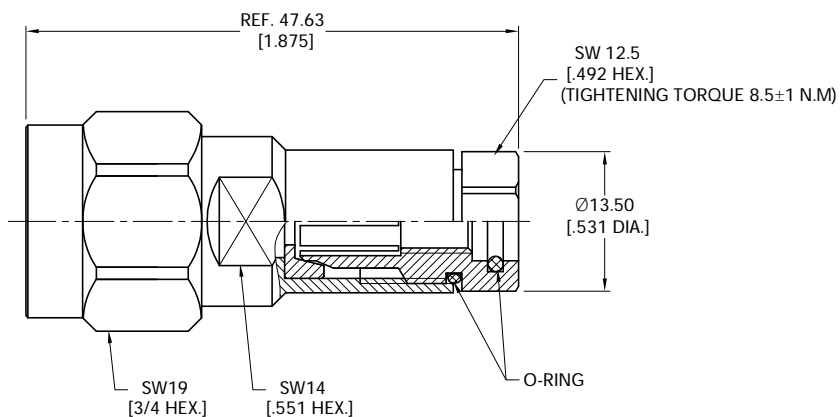
ELECTRICAL DATA:

- 1 IMPEDANCE: 50 Ω
- 2 FREQUENCY RANGE: DC-18 GHz
- 3 PIM: < -160 dBc(2X43 dBm) @ 900 MHz
- 4 TEST VOLTAGE: 1600V DC
- 5 AVERAGE POWER: 400W @ 900 MHz

ENVIRONMENTAL DATA:

- 1 TEMPERATURE RANGE: -55°C ~ +125°C
- 2 2011/65/EU(RoHS) AND 2015/863/(RoHS): COMPLIANT
- 3 REACH SVHC247: COMPLIANT

REVISIONS			
REV.	DESCRIPTION	DATE	APPROVED
A	INITIAL RELEASE	08/19/25	J. Q



CABLE STRIPPING DIMENSIONS

DRAWN	X. Y	DATE	08/19/25	
CHECKED	W. Y	DATE	08/19/25	
APPROVED	J. Q	DATE	08/19/25	
UNLESS OTHERWISE SPECIFIED DIMENSIONS ARE IN MILLIMETERS. DIMENSIONS IN [] ARE IN INCHES FOR CUSTOMER REFERENCE ONLY UNLESS OTHERWISE SPECIFIED TOLERANCE ARE:				THESE DRAWINGS AND SPECIFICATIONS ARE THE PROPERTY OF ANOISON ELECTRONICS LTD AND SHOULD NOT BE USED WITHOUT WRITTEN PERMISSION COPYRIGHT © 2025 ANOISON ELECTRONICS LTD
.XX	±0.13 [005"]			
.X	±0.20 [008"]			
X	±0.50 [019"]			
X°	±1°			
X°	±2°			
TITLE				N STRAIGHT MALE CLAMP FOR 1/4" SUPER FLEX CABLE ANO 5111-2428
VIEW				
SIZE		SCALE	SHEET	REV.
A3		2:1	1/1	A

4

3

2

1