

4

5

2

1

MATERIAL & FINISH:

- 1 BODY: BRASS, ALBALOY PLATED
- 2 CENTER CONTACT: PHOSPHOR BRONZE, SILVER PLATED
- 3 INSULATOR: PTFE
- 4 COUPLING NUT: BRASS, ALBALOY PLATED
- 5 RETAINING RING: PHOSPHOR BRONZE, UNPLATED
- 6 GASKET: SILICONE RUBBER

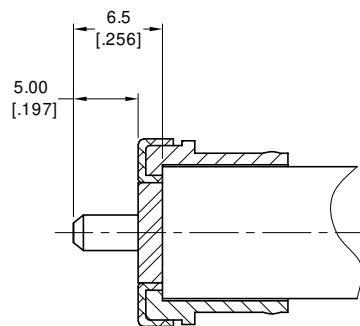
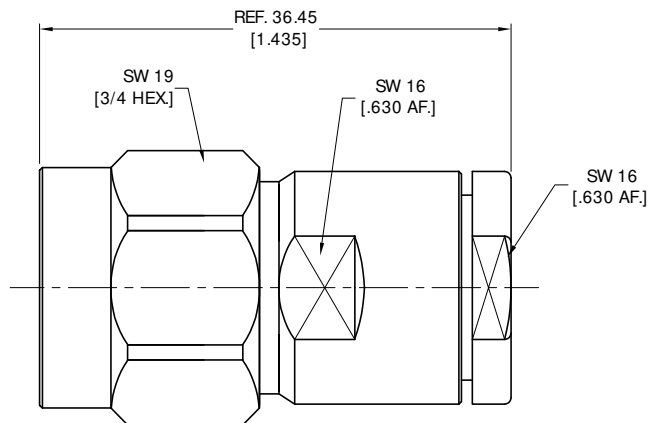
ELECTRICAL DATA:

- 1 IMPEDANCE: 50 Ω
- 2 FREQUENCY RANGE: DC-6 GHz


ENVIRONMENTAL DATA:

- 1 TEMPERATURE RANGE: -55°C~+125°C
- 2 2011/65/EU(RoHS) AND 2015/863/(RoHS): COMPLIANT
- 3 REACH SVHC247: COMPLIANT

REVISIONS			
REV.	DESCRIPTION	DATE	APPROVED
A	INITIAL RELEASE	07/15/25	J Q



CABLE STRIPPING DIMENSIONS

DRAWN	X. Y	DATE	07/15/25				
CHECKED	W. Y	DATE	07/15/25				
APPROVED	J Q	DATE	07/15/25				
UNLESS OTHERWISE SPECIFIED DIMENSIONS ARE IN MILLIMETERS, DIMENSIONS IN [ ] ARE IN INCHES FOR CUSTOMER REFERENCE ONLY UNLESS OTHERWISE SPECIFIED TOLERANCE ARE: .XX ±0.13 [.005"] .X ±0.20 [.008"] X ±0.50 [.019"] .X° ±1° X° ±2°				THESE DRAWINGS AND SPECIFICATIONS ARE THE PROPERTY OF ANOISON ELECTRONICS LTD AND SHOULD NOT BE USED WITHOUT WRITTEN PERMISSION COPYRIGHT © 2025 ANOISON ELECTRONICS LTD			
TITLE				N STRAIGHT MALE CLAMP FOR LMR400 CABLE CAPTIVAIED CONTACT			
VIEW				PART NO. ANO 5111-2427			
		SIZE	SCALE	SHEET	REV.		
		A3	2.5:1	1/1	A		

4

3

2

1