

4

3

2

1

MATERIAL & FINISH:

- 1 BODY: BRASS, ALBALOY PLATED
- 2 CENTER CONTACT: PHOSPHOR BRONZE, SILVER PLATED
- 3 INSULATOR: PTFE
- 4 COUPLING NUT: BRASS, ALBALOY PLATED

ELECTRICAL DATA:

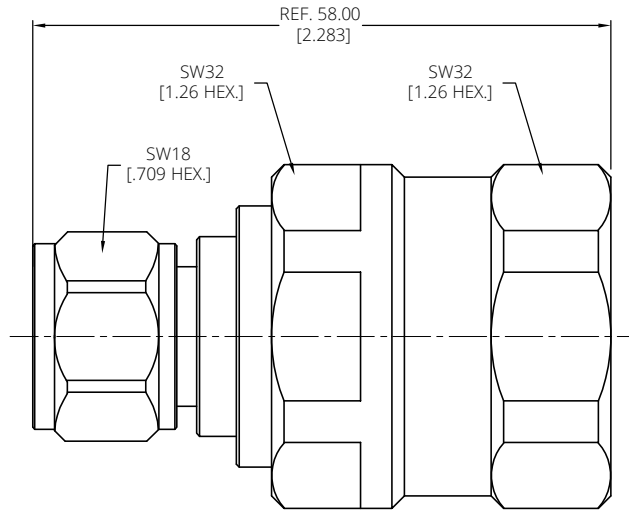
- 1 IMPEDANCE: 50 Ω
- 2 FREQUENCY RANGE: DC~3GHz
- 3 VSWR: 1.15 MAX.
- 4 INSERTION LOSS: 0.10 dB MAX.
- 5 3RD ORDER IMD: -155 dBc(2x43 dBm) @ 910 MHz
- 6 INNER CONTACT RESISTANCE: 2 mΩ MAX.
- 7 OUTER CONTACT RESISTANCE: 0.4 mΩ MAX.
- 8 DC TEST BOLTAGE: 2000 VRMS
- 9 RF OPERATING VOLTAGE: 707 VRMS
- 10 INSULATION RESISTANCE: 5000 MΩ
- 11 AVERAGE POWER : 600 W MAX.@ 900MHz
- 12 PEAK POWER : 10 KW MAX. @ 900MHz

ENVIRONMENTAL DATA:

- 1 TEMPERATURE RANGE: -55°C~+125°C
- 2 2011/65/EU(RoHS) AND 2015/863/(RoHS): COMPLIANT
- 3 1907/2006/EC(REACH): COMPLIANT

REVISIONS

REV.	DESCRIPTION	DATE	APPROVED
A	INITIAL RELEASE	10/18/23	J. Q



DRAWN	X. Y	DATE	10/18/23
CHECKED	W. Y	DATE	10/18/23
APPROVED	J. Q	DATE	10/18/23
UNLESS OTHERWISE SPECIFIED DIMENSIONS ARE IN MILLIMETERS, DIMENSIONS IN [] ARE IN INCHES FOR CUSTOMER REFERENCE ONLY UNLESS OTHERWISE SPECIFIED TOLERANCE ARE:		THESE DRAWINGS AND SPECIFICATIONS ARE THE PROPERTY OF ANOISON ELECTRONICS LTD AND SHOULD NOT BE USED WITHOUT WRITTEN PERMISSION COPYRIGHT © 2023 ANOISON ELECTRONICS LTD	
	XX	±0.13 [005"]	
	X	±0.20 [008"]	
	x	±0.50 [019"]	
	x°	±1°	
	x"	±2°	



TITLE			
N STRAIGHT MALE CLAMP FOR 7/8 CABLE			
VIEW	PART NO.		
	ANO 5111-2373		
SIZE	SCALE	SHEET	REV.
A3	2:1	1/1	A

4

3

2

1