

4

3

2

1

MATERIAL & FINISH:

- 1 BODY : BRASS, ALBALOY PLATED
- 2 CENTER CONTACT: BRASS, SILVER PLATED
- 3 COUPLING NUT: BRASS, ALBALOY PLATED
- 4 INSULATOR: PTFE
- 5 GASKET: SILICONE RUBBER

ELECTRICAL DATA:

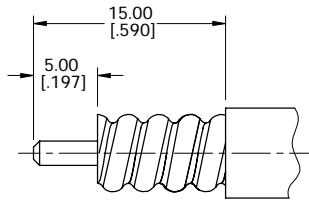
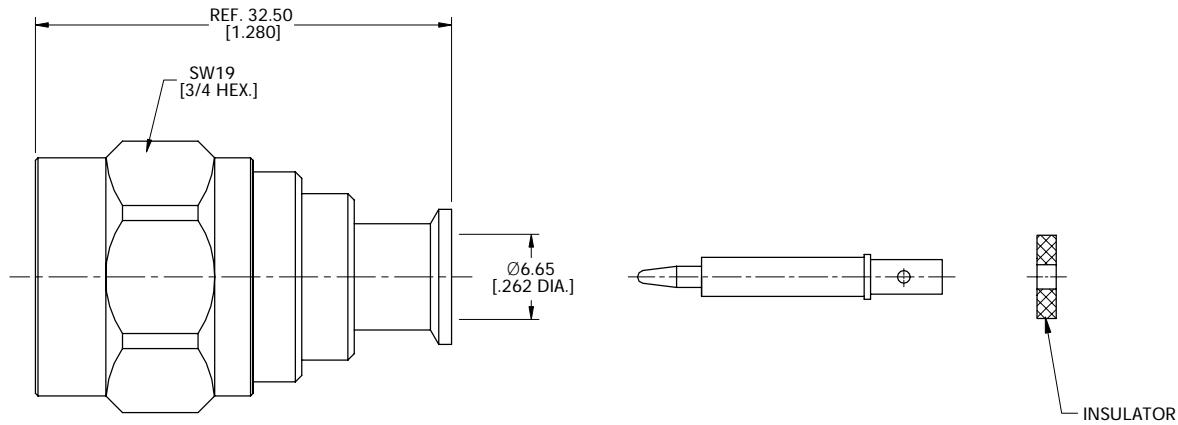
- 1 IMPEDANCE: 50 Ω
- 2 FREQUENCY RANGE: DC-6 GHz
- 3 VSWR: 1.30 MAX.
- 4 PIM3: ≥ 160 dBc(2X43dBm)

ENVIRONMENTAL DATA:

- 1 TEMPERATURE RANGE: -55°C ~ +125°C
- 2 2011/65/EU(RoHS) AND 2015/863/(RoHS): COMPLIANT
- 3 1907/2006/EC(REACH): COMPLIANT

REVISIONS

REV.	DESCRIPTION	DATE	APPROVED
A	INITIAL RELEASE	06/01/23	J. Q



CABLE STRIPPING DIMENSIONS

DRAWN	X. Y	DATE	06/01/23
CHECKED	W. Y	DATE	06/01/23
APPROVED	J. Q	DATE	06/01/23

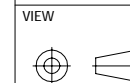
UNLESS OTHERWISE SPECIFIED DIMENSIONS ARE IN MILLIMETERS, DIMENSIONS IN [ ] ARE IN INCHES FOR CUSTOMER REFERENCE ONLY UNLESS OTHERWISE SPECIFIED TOLERANCE ARE:

XX	±0.13 [.005"]
X	±0.20 [.008"]
X	±0.50 [.019"]
X°	±1°
X"	±2°

THESE DRAWINGS AND SPECIFICATIONS ARE THE PROPERTY OF ANOISON ELECTRONICS LTD AND SHOULD NOT BE USED WITHOUT WRITTEN PERMISSION COPYRIGHT © 2023 ANOISON ELECTRONICS LTD



TITLE  
N STRAIGHT MALE SOLDER/SOLDER FOR 1/4" SUPER FLEX CABLE



PART NO.  
ANO 5111-2362

SIZE	A3	SCALE	2.5:1	SHEET	1/1	REV.	A
------	----	-------	-------	-------	-----	------	---

4

3

2

1

D

C

B

A

D

C

B

A