

**MATERIAL & FINISH:**

- 1 BODY: BRASS, ALBALOY PLATED
- 2 CENTER CONTACT: PHOSPHOR BRONZE, SILVER PLATED
- 3 COUPLING NUT: BRASS, ALBALOY PLATED
- 4 RETAINING RING: PHOSPHOR BRONZE, UNPLATED
- 5 INSULATOR: PTFE
- 6 GASKET: SILICONE RUBBER

**ENVIRONMENTAL DATA:**

- 1 TEMPERATURE RANGE: -55°C~+125°C
- 2 2011/65/EU (RoHS): COMPLIANT

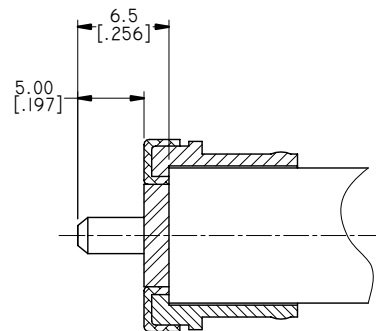
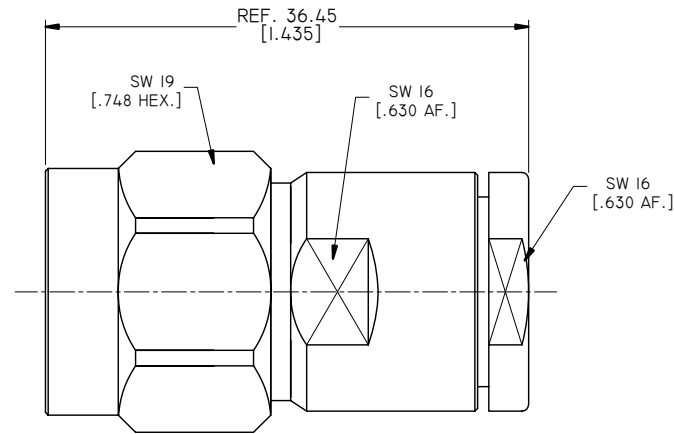
**ELECTRICAL DATA:**

- 1 IMPEDANCE: 50 Ω
- 2 FREQUENCY RANGE: DC~6 GHz
- 3 VSWR: 1.05 MAX. AT DC~3 GHz  
1.17 MAX. AT 3~6 GHz

**MECHANICAL DATA:**

- 1 MECHANICAL DURABILITY: 500 CYCLES MIN.
- 2 CENTER CONTACT: CAPTIVATED
- 3 OUTER CONTACT: CLAMP
- 4 CONNECTOR RETENTION TENSILE FORCE: 330 N [74 LBF]

REVISIONS			
REV.	DESCRIPTION	DATE	APPROVED
A	INITIAL RELEASE	04/24/15	J. QU



CABLE STRIPPING DIMENSIONS

DRAWN	X. B. YANG	DATE	04/24/15
CHECKED	L. YANG	DATE	04/24/15
APPROVED	J. QU	DATE	04/24/15
UNLESS OTHERWISE SPECIFIED DIMENSIONS ARE IN MILLIMETERS, DIMENSIONS IN [ ] ARE IN INCHES FOR CUSTOMER REFERENCE ONLY UNLESS OTHERWISE SPECIFIED TOLERANCE ARE:		THESE DRAWINGS AND SPECIFICATIONS ARE THE PROPERTY OF ANOISON ELECTRONICS LTD AND SHOULD NOT BE USED WITHOUT WRITTEN PERMISSION COPYRIGHT © 2017 ANOISON ELECTRONICS LTD	
.XX	±0.13 [.005"]		
.X	±0.20 [.008"]		
X	±0.50 [.019"]		
.X°	±1°		
X°	±2°		



TITLE			
N STRAIGHT MALE CLAMP FOR LMR400 CABLE CAPTIVAIED CONTACT			
VIEW		PART NO.	
		ANO 5111-2212	
SIZE	SCALE	SHEET	REV.
A3	2.5:1	1/1	A