

MATERIAL & FINISH:

- 1 BODY: BRASS, ALBALOY PLATED
- 2 CENTER CONTACT: BERYLLIUM COPPER ALLOY, GOLD PLATED
- 3 COUPLING NUT: BRASS, NICKEL PLATED
- 4 RETAINING RING: PHOSPHOR BRONZE, UNPLATED
- 5 INSULATOR: PTFE
- 6 GASKET: SILICONE RUBBER

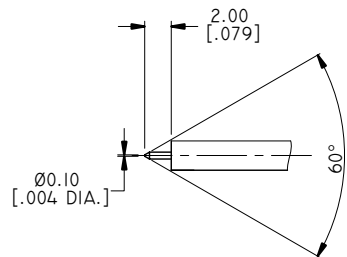
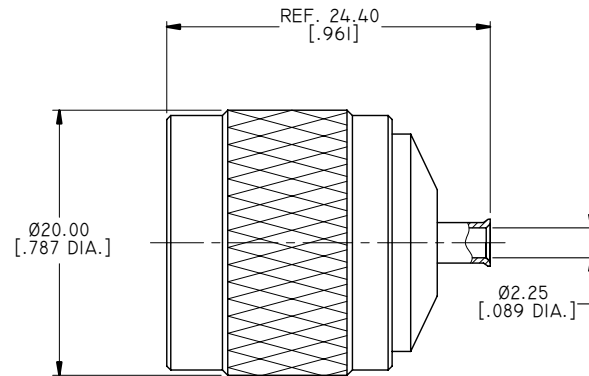
ELECTRICAL DATA:

- 1 IMPEDANCE: 50 Ω
- 2 FREQUENCY RANGE: DC~18 GHZ
- 3 VSWR: 1.35 MAX.
- 4 INSERTION LOSS: 0.25 MAX.

ENVIRONMENTAL DATA:

- 1 TEMPERATURE RANGE: -55°C~+125°C
- 2 2011/65/EU (RoHS): COMPLIANT

REVISIONS			
REV.	DESCRIPTION	DATE	APPROVED
B	VSWR & CENTER CONTACT MATERIAL AND OUTLINE DRAWING CHANGED	07/16/13	J. QU
C	DRAWING FORMAT CHANGED	08/01/17	J. QU



CABLE STRIPPING DIMENSIONS

DRAWN	X. B. YANG	DATE	08/01/17
CHECKED	P. CHEN	DATE	08/01/17
APPROVED	J. QU	DATE	08/01/17

UNLESS OTHERWISE SPECIFIED DIMENSIONS ARE IN MILLINETERS, DIMENSIONS IN [] ARE IN INCHES FOR CUSTOMER REFERENCE ONLY UNLESS OTHERWISE SPECIFIED TOLERANCE ARE:

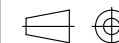
.XX	±0.13 [.005"]
.X	±0.20 [.008"]
X	±0.50 [.019"]
X°	±1°
X°	±2°

THESE DRAWINGS AND SPECIFICATIONS ARE THE PROPERTY OF ANOISON ELECTRONICS LTD AND SHOULD NOT BE USED WITHOUT WRITTEN PERMISSION COPYRIGHT © 2017 ANOISON ELECTRONICS LTD



TITLE
N STRAIGHT MALE SOLDER FOR .086 CABLE CAPTIVATED CONTACT

VIEW



PART NO.
ANO 5111-2170

SIZE	A3	SCALE	2.5:1	SHEET	1/1	REV.	C
------	----	-------	-------	-------	-----	------	---