

4

3

2

1

MATERIAL & FINISH:

- 1 BODY: BRASS, NICKEL PLATED
- 2 CENTER CONTACT: BRASS, GOLD PLATED
- 3 INSULATOR: PTFE
- 4 COUPLING NUT: BRASS, NICKEL PLATED
- 5 RETAINING RING: PHOSPHOR BRONZE, NICKEL PLATED
- 6 GASKET: MVQ (SILICONE RUBBER)

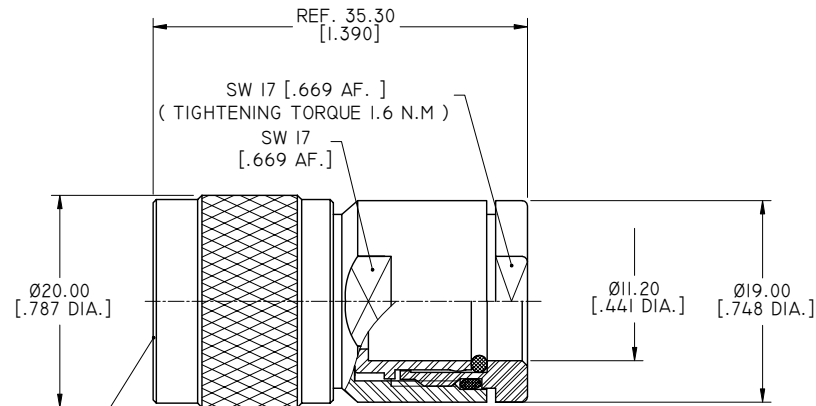
ELECTRICAL DATA:

- 1 IMPEDANCE: 50 Ω
- 2 FREQUENCY RANGE: DC~11 GHZ
- 3 VSWR: ≤ 1.30 AT DC~3 GHZ
 ≤ 1.50 AT 3~6 GHZ

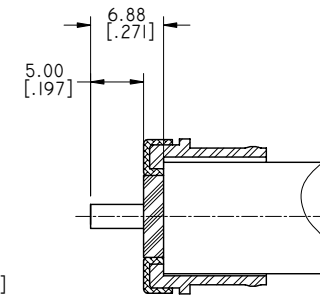
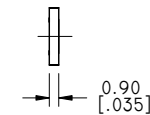
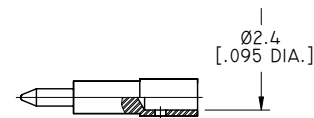
ENVIRONMENTAL DATA:

- 1 TEMPERATURE RANGE: -65°C ~ +125°C
- 2 2011/65/EU (RoHS): COMPLIANT


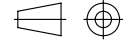
REVISIONS			
REV.	DESCRIPTION	DATE	APPROVED
A	INITIAL RELEASE	11/23/15	J. QU



5/8-24UNEF-2B



CABLE STRIPPING DIMENSIONS

DRAWN	P. CHEN	DATE	11/23/15	 ...we create connection for technologies	
CHECKED	L. YANG	DATE	11/23/15		
APPROVED	J. QU	DATE	11/23/15		
UNLESS OTHERWISE SPECIFIED DIMENSIONS ARE IN MILLIMETERS, DIMENSIONS IN [] ARE IN INCHES FOR CUSTOMER REFERENCE ONLY UNLESS OTHERWISE SPECIFIED TOLERANCE ARE:		THESE DRAWINGS AND SPECIFICATIONS ARE THE PROPERTY OF ANOISON ELECTRONICS LTD AND SHOULD NOT BE USED WITHOUT WRITTEN PERMISSION COPYRIGHT © 2015 ANOISON ELECTRONICS LTD		TITLE	N MALE STRAIGHT CLAMP FOR RG213/RG214 CABLE
.XX ±0.13 [.005"] .X ±0.20 [.008"] X ±0.50 [.019"] .X° ±1° X° ±2°				VIEW	
				PART NO.	ANO 5111-2147
				SIZE	A3
				SCALE	2:1
				SHEET	1/1
				REV.	A

4

3

2

1