

4

3

2

1

MATERIAL & FINISH:

- 1 BODY: BRASS, ALBALOY PLATED
- 2 CENTER CONTACT: BERYLLIUM COPPER ALLOY, GOLD PLATED
- 3 COUPLING NUT: BRASS, ALBALOY PLATED
- 4 RETAINING RING: PHOSPHOR BRONZE, UNPLATED
- 5 INSULATOR: PTFE
- 6 GASKET: SILICONE RUBBER

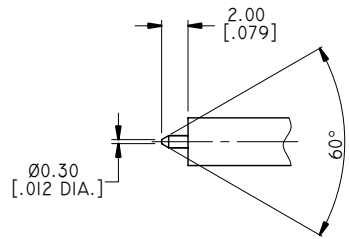
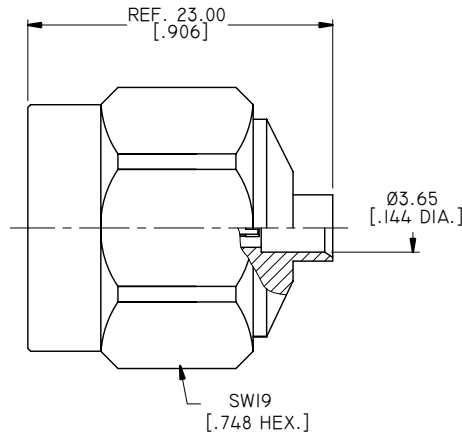
ELECTRICAL DATA:

- 1 IMPEDANCE: 50 Ω
- 2 FREQUENCY RANGE: DC~18 GHZ
- 3 VSWR: 1.15 MAX. AT DC~6 GHZ  
1.25 MAX. AT 6~11 GHZ  
1.35 MAX. AT 11~18 GHZ
- 4 INSERTION LOSS: .05x√F(GHZ) AT DC~11GHZ

ENVIRONMENTAL DATA:

- 1 TEMPERATURE RANGE: -55°C~+125°C
- 2 2011/65/EU (RoHS): COMPLIANT

REVISIONS			
REV.	DESCRIPTION	DATE	APPROVED
E	VSWR CHANGED	08/19/13	J. QU
F	DRAWING FORMAT CHANGED	08/02/17	J. QU



CABLE STRIPPING DIMENSIONS

DRAWN	X. B. YANG	DATE	08/02/17
CHECKED	P. CHEN	DATE	08/02/17
APPROVED	J. QU	DATE	08/02/17
UNLESS OTHERWISE SPECIFIED DIMENSIONS ARE IN MILLIMETERS, DIMENSIONS IN [ ] ARE IN INCHES FOR CUSTOMER REFERENCE ONLY UNLESS OTHERWISE SPECIFIED TOLERANCE ARE:		THESE DRAWINGS AND SPECIFICATIONS ARE THE PROPERTY OF ANOISON ELECTRONICS LTD AND SHOULD NOT BE USED WITHOUT WRITTEN PERMISSION COPYRIGHT © 2017 ANOISON ELECTRONICS LTD	
.XX	±0.13 [.005"]		
.X	±0.20 [.008"]		
X	±0.50 [.019"]		
X°	±1°		
X°	±2°		



TITLE			
N STRAIGHT MALE SOLDER FOR .141 CABLE CAPTIVATED CONTACT			
VIEW		PART NO.	
		ANO 5111-2034	
SIZE	SCALE	SHEET	REV.
A3	2.5:1	I/I	F

4

3

2

1