

4 3 2 1

REVISIONS			
REV.	DESCRIPTION	DATE	APPROVED
A	INITIAL RELEASE	08/23/23	J. Q

MATERIAL & FINISH:

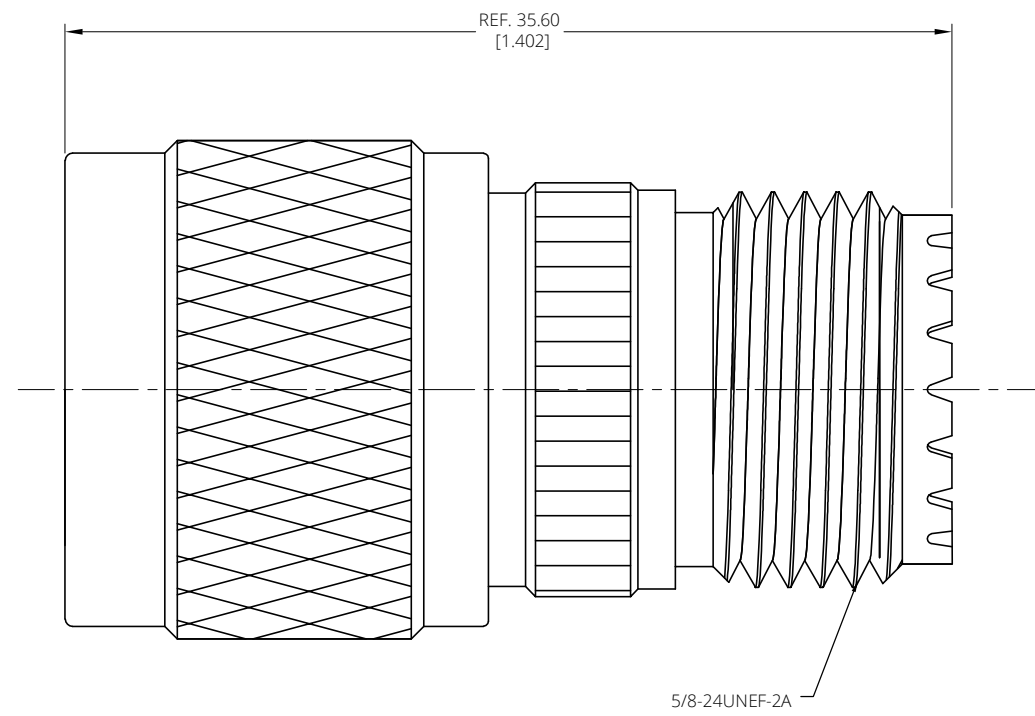
- 1 BODY: BRASS, NICKEL PLATED
- 2 CENTER CONTACT: PHOSPHOR BRONZE, GOLD PLATED
- 3 INSULATOR: PTFE

ELECTRICAL DATA:


- 1 IMPEDANCE: 50 Ω to 75 Ω
- 2 FREQUENCY RANGE: DC~1GHz

ENVIRONMENTAL DATA:

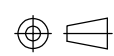
- 1 TEMPERATURE RANGE: -55°C~+125°C
- 2 2011/65/EU(RoHS) AND 2015/863/(RoHS): COMPLIANT
- 3 1907/2006/EC(REACH): COMPLIANT



DRAWN	X. Y	DATE	08/22/23
CHECKED	W. Y	DATE	08/22/23
APPROVED	J. Q	DATE	08/22/23
UNLESS OTHERWISE SPECIFIED DIMENSIONS ARE IN MILLIMETERS, DIMENSIONS IN [] ARE IN INCHES FOR CUSTOMER REFERENCE ONLY UNLESS OTHERWISE SPECIFIED TOLERANCE ARE:		THESE DRAWINGS AND SPECIFICATIONS ARE THE PROPERTY OF ANOISON ELECTRONICS LTD AND SHOULD NOT BE USED WITHOUT WRITTEN PERMISSION COPYRIGHT © 2023 ANOISON ELECTRONICS LTD	
XX	±0.13 [005"]		
X	±0.20 [008"]		
X	±0.50 [019"]		
X°	±1°		
X°	±2°		



TITLE
ADAPTER, N MALE TO UHF FEMALE

VIEW 

PART NO.
ANO 511-522-1646

SIZE A3	SCALE 5:1	SHEET 1/1	REV. A
------------	--------------	--------------	-----------

4 3 2 1