

MATERIAL & FINISH

- 1 BODY: BRASS, SEE SCHEDULE
- 2 CENTER CONTACT: PHOSPHOR BRONZE, SEE SCHEDULE
- 3 INSULATOR: PTFE
- 4 COUPLING NUT: BRASS, SEE SCHEDULE
- 5 GASKTE: MVQ(SILICONE RUBBER)

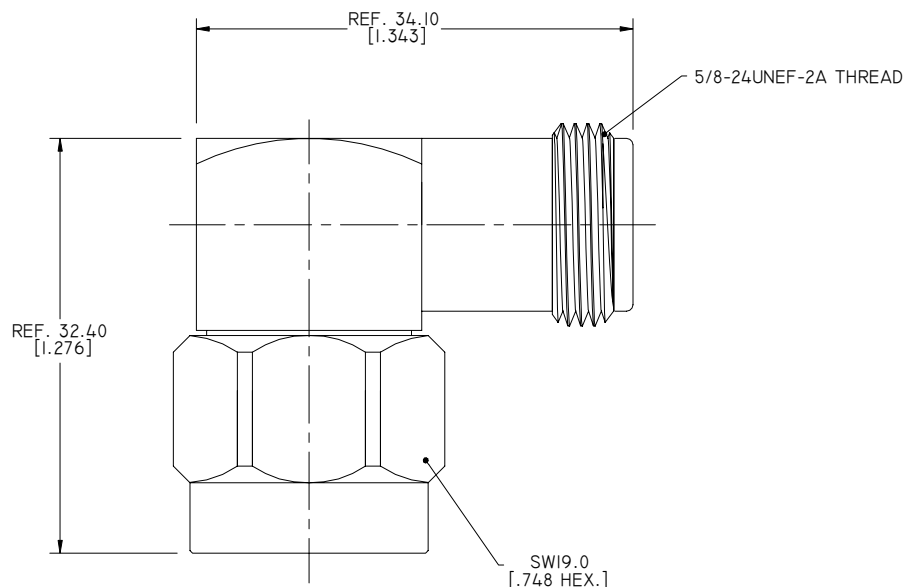
ELECTRICAL DATA:

- 1 IMPEDANCE: 50 OHMS
- 2 FREQUENCY RANGE: DC~6 GHZ
- 3 VSWR: 1.20 MAX.
- 4 WITHSTANDING VOLTAGE: 2500 VRMS MIN.

ENVIRONMENTAL DATA:

- 1 TEMPERATURE RANGE: -55°C~+125°C
- 2 2011/65/EU (RoHS): COMPLIANT

REVISIONS			
REV.	DESCRIPTION	DATE	APPROVED
A	INITIAL RELEASE	01/23/15	J. QU
B	PART NO. ADDED	08/28/15	J. QU
C	FREQUENCY RANGE AND CHANGED	08/15/22	J. QU



PART NO.	PART	FINISH	PIM3 (2X43 DBM) AT 0.4~3 GHZ
ANO 511-512-2300	BODY	NICKEL	_____
	CENTER CONTACT	GOLD	
	COUPLING NUT	NICKEL	
ANO 511-512-2300-1	BODY	ALBALOY	< -155 DBC
	CENTER CONTACT	SILVER	
	COUPLING NUT	ALBALOY	

DRAWN	X. Y	DATE	08/15/22
CHECKED	L. Y	DATE	08/15/22
APPROVED	J. Q	DATE	08/15/22

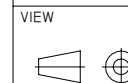


TITLE
ADAPTER, RIGHT ANGLE N MALE TO N FEMALE

UNLESS OTHERWISE SPECIFIED DIMENSIONS ARE IN MILLINMETERS, DIMENSIONS IN [] ARE IN INCHES FOR CUSTOMER REFERENCE ONLY UNLESS OTHERWISE SPECIFIED TOLERANCE ARE:

.XX	±0.13 [.005"]
.X	±0.20 [.008"]
X	±0.50 [.019"]
.X°	±1°
X°	±2°

THESE DRAWINGS AND SPECIFICATIONS ARE THE PROPERTY OF ANOISON ELECTRONICS LTD AND SHOULD NOT BE USED WITHOUT WRITTEN PERMISSION COPYRIGHT © 2022 ANOISON ELECTRONICS LTD



VIEW				PART NO. ANO 511-512-2300			
SIZE	A3	SCALE	2.5:1	SHEET	1/1	REV.	C