

MATERIAL & FINISH

- 1 BODY: BRASS, SEE TABLE
- 2 CENTER CONTACT: PHOSPHOR BRONZE, SEE TABLE
- 3 INSULATOR: PTFE
- 4 COUPLING NUT: BRASS, SEE TABLE
- 5 GASKTE: SILICONE RUBBER

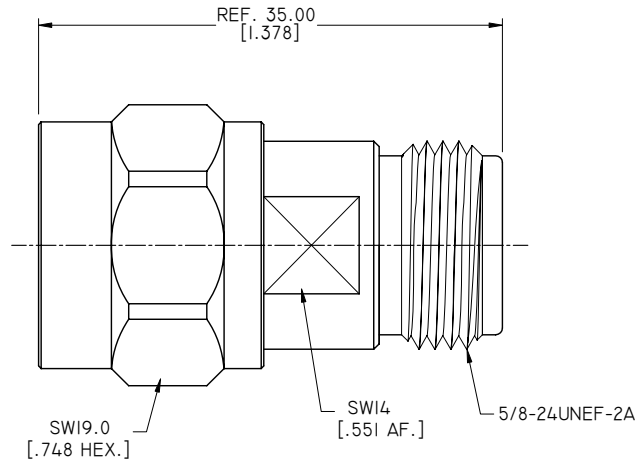
ELECTRICAL DATA:

- 1 IMPEDANCE: 50 OHMS
- 2 FREQUENCY RANGE: DC~18 GHZ
- 3 VSWR: 1.15 MAX. AT DC~6 GHZ
1.25 MAX. AT 6~18 GHZ
- 4 PIM3: SEE TABLE

ENVIRONMENTAL DATA:

- 1 TEMPERATURE RANGE: -55°C~+125°C
- 2 2011/65/EU (RoHS): COMPLIANT

REVISIONS			
REV.	DESCRIPTION	DATE	APPROVED
A	INITIAL RELEASE	10/19/17	J. QU
B	1. FINISH CHANGED 2. PART NO. ANO 511-512-1427-1 ADDED	07/27/18	J. QU



TABLE

PART NO.	PART	FINISH	PIM3 (2X43 DBM) AT 0.4~3 GHZ
ANO 511-512-1427	BODY	NICKEL	_____
	CENTER CONTACT	GOLD	
	COUPLING NUT	NICKEL	
ANO 511-512-1427-1	BODY	ALBALOY	< -155 DBC
	CENTER CONTACT	SILVER	
	COUPLING NUT	ALBALOY	

DRAWN X. B. YANG	DATE 07/24/18	
CHECKED W. YANG	DATE 07/24/18	
APPROVED J. QU	DATE 07/24/18	
<small>UNLESS OTHERWISE SPECIFIED DIMENSIONS ARE IN MILLIMETERS, DIMENSIONS IN [] ARE IN INCHES FOR CUSTOMER REFERENCE ONLY UNLESS OTHERWISE SPECIFIED TOLERANCE ARE:</small>		<small>THESE DRAWINGS AND SPECIFICATIONS ARE THE PROPERTY OF ANOISON ELECTRONICS LTD AND SHOULD NOT BE USED WITHOUT WRITTEN PERMISSION COPYRIGHT © 2018 ANOISON ELECTRONICS LTD</small>
<small>.XX ±0.13 [.005"] .X ±0.20 [.008"] X ±0.50 [.019"] .X° ±1° X° ±2°</small>		TITLE ADAPTER, N MALE TO N FEMALE
		PART NO. ANO 511-512-1427
SIZE A3	SCALE 2.5:1	SHEET 1/1
		REV. B