

MATERIAL & FINISH:

1. BODY: BRASS, NICKEL PLATED
2. COUPLING NUT: BRASS, NICKEL PLATED
3. CENTER CONTACT: BRASS, GOLD PLATED
4. INSULATOR: PTFE

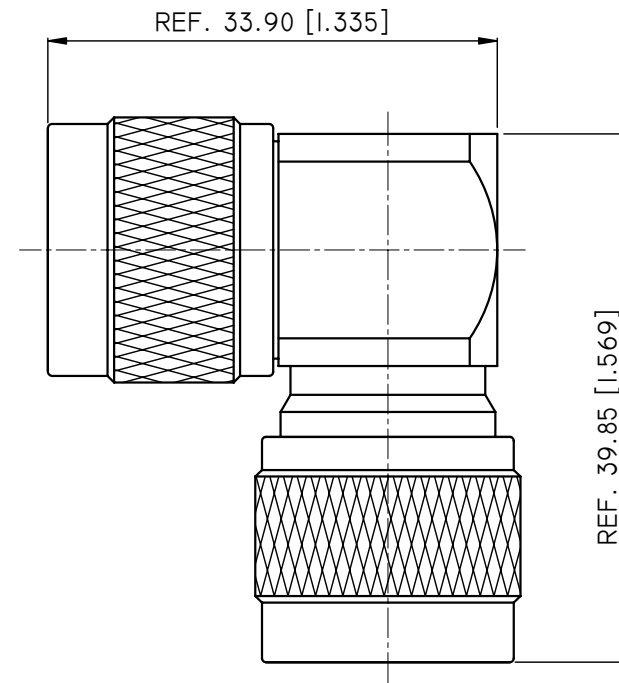
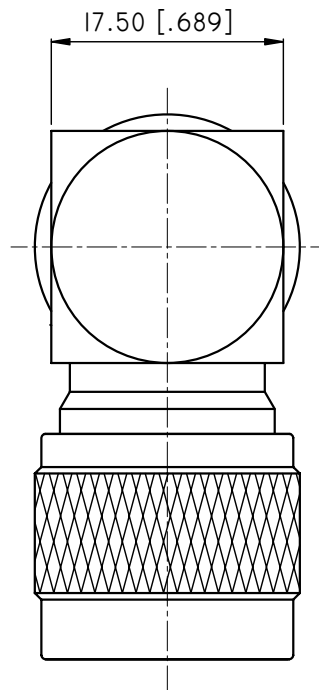
ELECTRICAL DATA:

1. IMPEDANCE: 50 Ω
2. FREQUENCY RANGE: DC~6 GHz
3. VSWR: 1.20 MAX.

ENVIRONMENTAL DATA:

1. TEMPERATURE RANGE: -55°C~+125°C
2. 2011/65/EU (RoHS): COMPLIANT

| REVISIONS | | | |
|-----------|-----------------|----------|----------|
| REV. | DESCRIPTION | DATE | APPROVED |
| A | INITIAL RELEASE | 05/27/15 | J. QU |
| | | | |



| | | | | | | | |
|---|----------------|--|----------|---|-------|------------------------------|------|
| DRAWN | L. YANG | DATE | 05/27/15 | | | | |
| CHECKED | X. B. YANG | DATE | 05/27/15 | | | | |
| APPROVED | J. QU | DATE | 05/27/15 | | | | |
| UNLESS OTHERWISE SPECIFIED DIMENSIONS ARE IN MILLIMETERS, DIMENSIONS IN [] ARE IN INCHES FOR CUSTOMER REFERENCE ONLY UNLESS OTHERWISE SPECIFIED TOLERANCE ARE: | | THESE DRAWINGS AND SPECIFICATIONS ARE THE PROPERTY OF ANOISON ELECTRONICS LTD AND SHOULD NOT BE USED WITHOUT WRITTEN PERMISSION COPYRIGHT © 2015 ANOISON ELECTRONICS LTD | | TITLE ADAPTER RIGHT ANGLE, N MALE TO N MALE | | | |
| .XX | ±0.13 [0.005"] | | | VIEW | | PART NO. ANO 511-511-2309 | |
| .X | ±0.20 [0.008"] | | | SIZE | SCALE | SHEET | REV. |
| X | ±0.50 [0.019"] | | | A3 | 2.5:1 | 1/1 | A |
| .X° | ±1° | | | | | | |
| X° | ±2° | | | | | | |