

**MATERIAL & FINISH:**

1. BODY: BRASS, NICKEL PLATED
2. COUPLING NUT: BRASS, NICKEL PLATED
3. CENTER CONTACT: BRASS, GOLD PLATED
4. INSULATOR: PTFE

**ELECTRICAL DATA:**

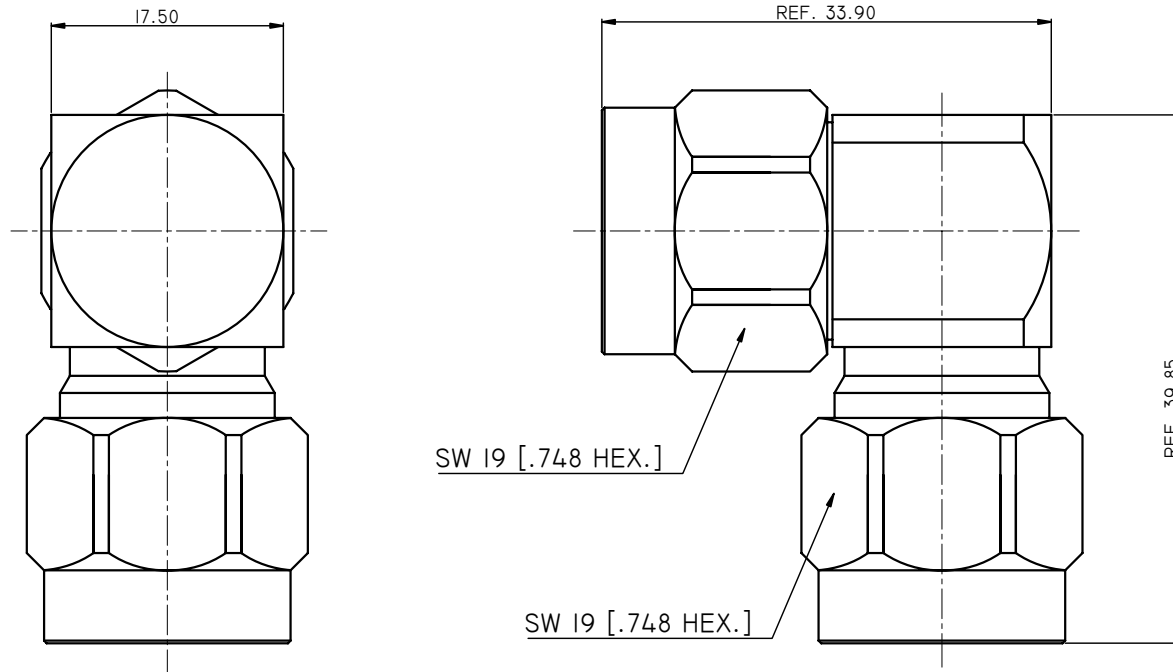
1. IMPEDANCE: 50 Ω
2. FREQUENCY RANGE: DC~6 GHZ
3. VSWR: 1.20 MAX.

**ENVIRONMENTAL DATA:**

1. TEMPERATURE RANGE: -55°C~+125°C
2. 2011/65/EC ( RoHS): COMPLIANT

**REVISIONS**

REV.	DESCRIPTION	DATE	APPROVED
A	INITIAL RELEASE	01/23/15	J. QU
B	33.90 [1.335] WAS 34.90 [1.374] 39.85 [1.569] WAS 40.85 [1.608]	02/02/15	J. QU



DRAWN	L. YANG	DATE	02/02/15				
CHECKED	X. B. YANG	DATE	02/02/15				
APPROVED	J. QU	DATE	02/02/15				
<small>UNLESS OTHERWISE SPECIFIED DIMENSIONS ARE IN MILLIMETERS, DIMENSIONS IN [ ] ARE IN INCHES FOR CUSTOMER REFERENCE ONLY UNLESS OTHERWISE SPECIFIED TOLERANCE ARE:</small>				<small>THESE DRAWINGS AND SPECIFICATIONS ARE THE PROPERTY OF ANOISON ELECTRONICS LTD AND SHOULD NOT BE USED WITHOUT WRITTEN PERMISSION COPYRIGHT © 2015 ANOISON ELECTRONICS LTD</small>			
<small>.XX ±0.13 [.005"] .X ±0.20 [.008"] X ±0.50 [.019"] .X° ±1° X° ±2°</small>				TITLE <b>ADAPTER                  RIGHT ANGLE, N MALE TO N MALE</b>			
VIEW 				PART NO. <b>ANO 511-511-2299</b>			
SIZE A3		SCALE 2.5:1		SHEET 1/1		REV. B	