

MATERIAL & FINISH:

1. BODY: BRASS, NICKEL PLATED
2. CENTER CONTACT: PHOSPHOR BRONZE, GOLD PLATED
3. COUPLING NUT: BRASS, GOLD PLATED
4. INSULATOR: PTFE
5. GASKET: MVQ(SILICONE RUBBER)

ELECTRICAL DATA:

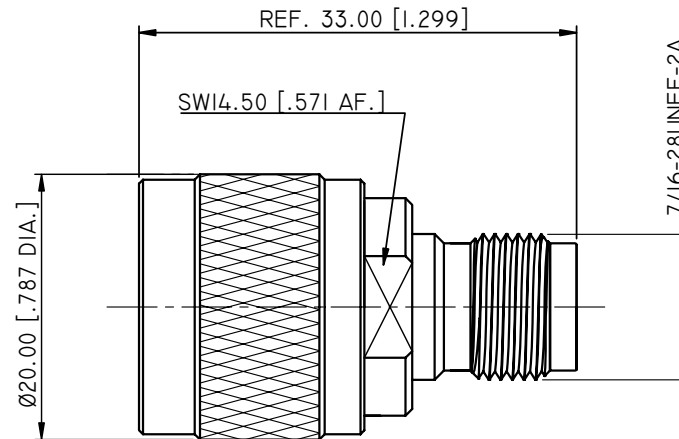
1. IMPEDANCE: 50 Ω
2. FREQUENCY RANGE: DC~11 GHZ
3. VSWR: 1.15 MAX. AT DC~3GHZ
1.25 MAX. AT 3~6GHZ



ENVIRONMENTAL DATA:

1. TEMPERATURE RANGE: -55°C~+125°C
2. 2011/65/EU (RoHS): COMPLIANT

REVISIONS

REV.	DESCRIPTION	DATE	APPROVED
A	INITIAL RELEASE	05/14/13	J. QU
B	OUTLINE DRAWING CHANGED	05/29/15	J. QU



DRAWN	X. B. YANG	DATE	05/29/15		
CHECKED	L. YANG	DATE	05/29/15		
APPROVED	J. QU	DATE	05/29/15		
UNLESS OTHERWISE SPECIFIED DIMENSIONS ARE IN MILLIMETERS, DIMENSIONS IN [] ARE IN INCHES FOR CUSTOMER REFERENCE ONLY UNLESS OTHERWISE SPECIFIED TOLERANCE ARE:		THESE DRAWINGS AND SPECIFICATIONS ARE THE PROPERTY OF ANOISON ELECTRONICS LTD AND SHOULD NOT BE USED WITHOUT WRITTEN PERMISSION COPYRIGHT © 2015 ANOISON ELECTRONICS LTD			
.XX ±0.13 [.005"]		<div style="text-align: center;">  </div>			
.X ±0.20 [.008"]					
X ±0.50 [.019"]					
.X° ±1°					
X° ±2°					
 <p>...we create connection for technologies</p>					
TITLE ADAPTER, N MALE TO TNC FEMALE					
VIEW		PART NO. ANO 511-332-1016			
SIZE A3	SCALE 2.5:1	SHEET 1/1	REV. B		