

Material & Finish:

- 1 Body: Brass, Nickel plated
- 2 Center contact: Phosphor bronze, Gold plated
- 3 Insulator: PTFE
- 4 Coupling nut: Brass, Nickel plated
- 5 Gasket: Silicone rubber

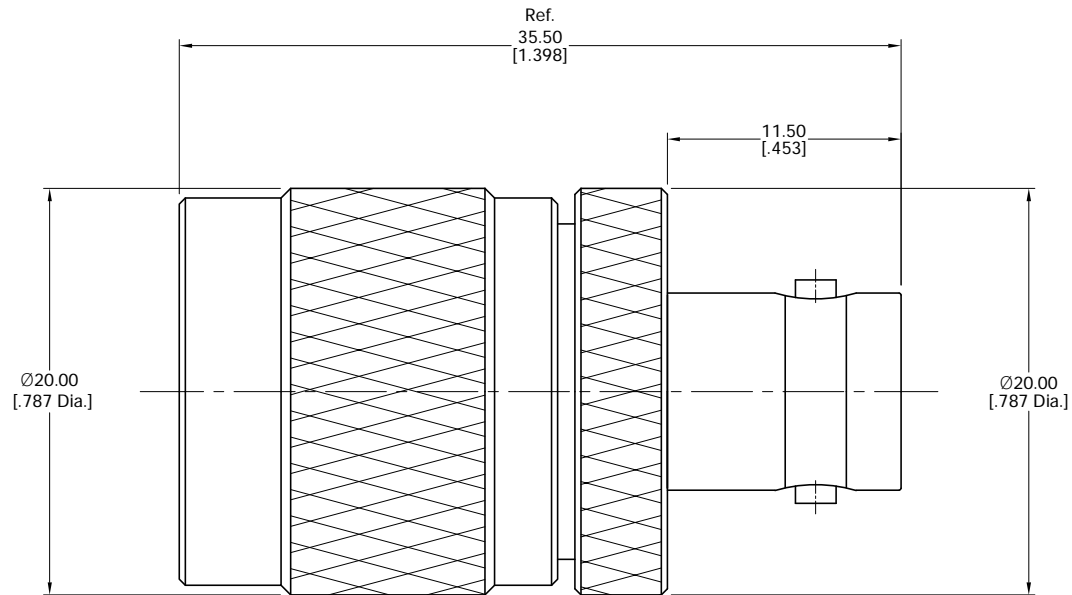
Electrical data:

- 1 Impedance: 50 Ω
- 2 Frequency range: DC-4 GHz
- 3 VSWR: 1.16 max.

Environmental data:

- 1 Temperature range: -55°C ~ +125°C
- 2 2011/65/EU(ROHs) and 2015/863/(ROHs): compliant
- 3 1907/2006/ec(REACH): compliant

Revisions			
Rev.	Description	Date	Approved
A	Initial release	10/07/10	J. Q
B	Changed drawing	04/18/18	J. Q
C	VSWR added	06/29/18	J. Q
D	1. Dimension 11.50 [.453] added 2. 34.0 [1.339] was 34.50 [1.358]	06/29/18	J. Q
E	1. Ø20.00 [.787 Dia.] was Ø19.00 [.758 Dia.] 2. 35.50 [1.398] was 34.00 [1.339]	04/27/26	J. Q



Drawn	X. Y	Date	04/27/26
Checked	W. Y	Date	04/27/26
Approved	J. Q	Date	04/27/26

Unless otherwise specified dimensions are in millimeters, dimensions in [] are in inches for customer reference only unless otherwise specified tolerance are:

.XX	±0.13 [.005"]
X	±0.20 [.008"]
X	±0.50 [.019"]
X°	±1°
X°	±2°

These drawings and specifications are the property of anoisn electronics ltd and should not be used without written permission copyright © 2026 anoisn electronics ltd



Title: Adapter, N male to BNC female

View	Part no. ANO 511-312-1095		
	Size A3	Scale 4:1	Sheet 1/1 REV. E

Note: Specifications are subject to change without notice.
Contact us for the latest data before finalizing your design.