

MATERIAL & FINISH:

- 1 BODY: BRASS, NICKEL PLATED
- 2 CENTER CONTACT: BERYLLIUM COPPER ALLOY, GOLD PLATED
- 3 COUPLING NUT: BRASS, NICKEL PLATED
- 4 RETAINING RING: PHOSPHOR BRONZE, UNPLATED
- 5 INSULATOR: PTFE
- 6 GASKET: SILICONE RUBBER

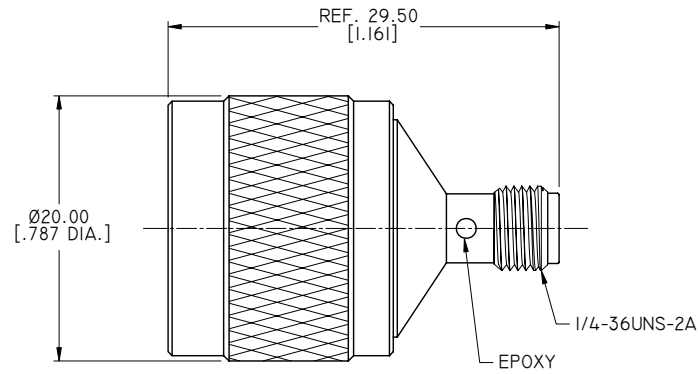
ELECTRICAL DATA:

- 1 IMPEDANCE: 50 Ω
- 2 FREQUENCY RANGE: DC~18 GHZ
- 3 VSWR: 1.10 MAX. AT DC~3 GHZ  
1.20 MAX. AT 3~6 GHZ

ENVIRONMENTAL DATA:

- 1. TEMPERATURE RANGE: -40°C~+85°C
- 2. 2011/65/EU ( RoHS): COMPLIANT

REVISIONS			
REV.	DESCRIPTION	DATE	APPROVED
A	INITIAL RELEASE	08/14/16	J. QU



DRAWN	X. B. YANG	DATE	08/14/16
CHECKED	P. CHEN	DATE	08/14/16
APPROVED	J. QU	DATE	08/14/16
UNLESS OTHERWISE SPECIFIED DIMENSIONS ARE IN MILLIMETERS. DIMENSIONS IN [ ] ARE IN INCHES FOR CUSTOMER REFERENCE ONLY UNLESS OTHERWISE SPECIFIED TOLERANCE ARE:		THESE DRAWINGS AND SPECIFICATIONS ARE THE PROPERTY OF ANOISON ELECTRONICS LTD AND SHOULD NOT BE USED WITHOUT WRITTEN PERMISSION COPYRIGHT © 2016 ANOISON ELECTRONICS LTD	
.XXX	±0.15 [.006"]		
.XX	±0.25 [.01"]		
.X	±0.50 [.019"]		
.X°	±1°		
X°	±2°		



TITLE			
ADAPTER, N MALE TO SMA FEMALE			
VIEW	PART NO.		
	ANO 511-212-1416		
SIZE	SCALE	SHEET	REV.
A3	2.5:1	1/1	A