

MATERIAL & FINISH:

- 1 BODY: BRASS, SEE TABLE
- 2 CENTER CONTACT: BERYLLIUM COPPER ALLOY, SEE TABLE
- 3 COUPLING NUT: BRASS, SEE TABLE
- 4 INSULATOR: PTFE
- 5 GASKET: SILICONE RUBBER

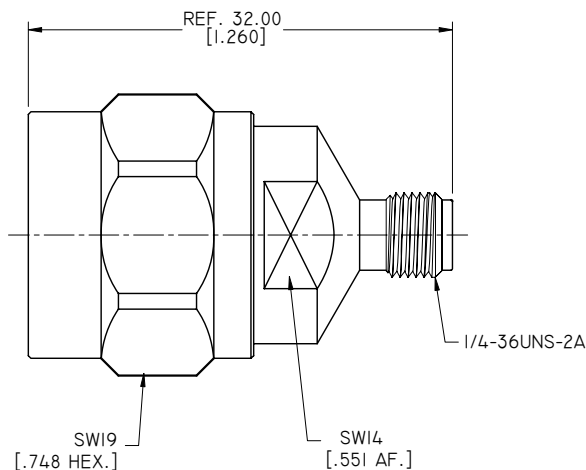
ELECTRICAL DATA:

- 1 IMPEDANCE: 50 Ω
- 2 FREQUENCY RANGE: DC~18 GHZ
- 3 VSWR: 1.30 MAX.
- 4 PIM3: SEE TABLE

ENVIRONMENTAL DATA:

- 1 TEMPERATURE RANGE: -55°C~+125°C
- 2 2011/65/EU (RoHS): COMPLIANT

REVISIONS			
REV.	DESCRIPTION	DATE	APPROVED
A	INITIAL RELEASE	04/14/17	J. QU
B	1. FINISH CHANGED 2. PART NO. ANO 511-212-1116-1 ADDED 3. PIM3 ADDED	07/24/18	J. QU



TABLE

PART NO.	PART	FINISH	PIM3 (2X43 DBM) AT 0.4~3 GHZ
ANO 511-212-1116	BODY	NICKEL	—————
	CENTER CONTACT	GOLD	
	COUPLING NUT	NICKEL	
ANO 511-212-1116-1	BODY	ALBALOY	< -155 DBC
	CENTER CONTACT	SILVER	
	COUPLING NUT	ALBALOY	

DRAWN	X. B. YANG	DATE	07/24/18
CHECKED	W. YANG	DATE	07/24/18
APPROVED	J. QU	DATE	07/24/18
UNLESS OTHERWISE SPECIFIED DIMENSIONS ARE IN MILLIMETERS. DIMENSIONS IN [ ] ARE IN INCHES FOR CUSTOMER REFERENCE ONLY UNLESS OTHERWISE SPECIFIED TOLERANCE ARE:		THESE DRAWINGS AND SPECIFICATIONS ARE THE PROPERTY OF ANOISON ELECTRONICS LTD AND SHOULD NOT BE USED WITHOUT WRITTEN PERMISSION COPYRIGHT © 2018 ANOISON ELECTRONICS LTD	
.XX	±0.13 [.005"]		
.X	±0.20 [.008"]		
X	±0.50 [.019"]		
.X°	±1°		
X°	±2°		



TITLE			
ADAPTER, N MALE TO SMA FEMALE			
VIEW	PART NO.		
	ANO 511-212-1116		
SIZE	SCALE	SHEET	REV.
A3	2.5:1	1/1	B