

4

3

2

1

MATERIAL & FINISH:

- 1 BODY: BRASS, SEE TABLE
- 2 CENTER CONTACT: BERYLLIUM COPPER ALLOY, SEE TABLE
- 3 INSULATOR: PTFE
- 4 COUPLING NUT: BRASS, SEE TABLE

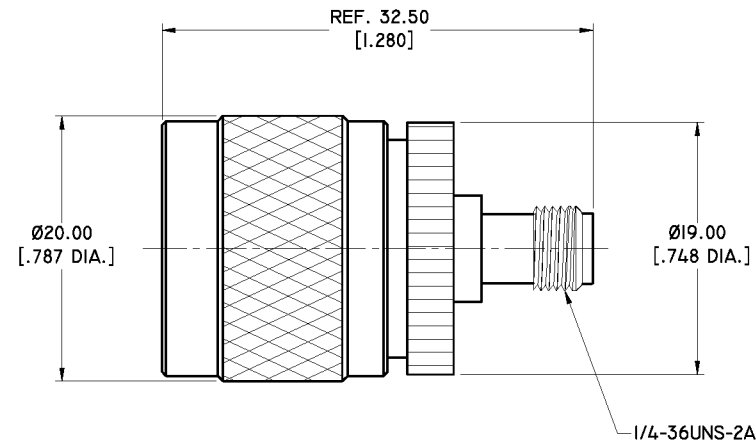
ENVIRONMENTAL DATA:

- 1 TEMPERATURE RANGE: -55°C~+125°C
- 2 2011/65/EU(RoHS) AND 2015/863/(RoHS): COMPLIANT
- 3 1907/2006/EC(REACH) AND 1999/45/EC(REACH): COMPLIANT

ELECTRICAL DATA:

- 1 IMPEDANCE: 50 Ω
- 2 FREQUENCY RANGE: DC~18 GHZ
- 3 VSWR: 1.25 MAX. AT DC~6 GHZ
1.40 MAX. AT 6~18 GHZ
- 4 INSERTION LOSS: 0.2 DB MAX.

REVISIONS			
REV.	DESCRIPTION	DATE	APPROVED
A	INITIAL RELEASE	04/02/13	J. QU
B	1. FREQUENCY RANGE AND VSWR CHANGED 2. 2015/863/(RoHS): COMPLIANT ADDED 3. 1999/45/EC(REACH): COMPLIANT ADDED	12/11/18	J. QU
C	ADDED INSETRION LOSS AND PIM	08/06/19	J. QU



PART NUMBER	PART	FINISH	PIM
ANO 511-212-1024	BODY	NICKEL	—
	CENTER CONTACT	GOLD	
	COUPLING NUT	NICKEL	
ANO 511-212-1024-1	BODY	ALBALOY	≤ -120 DBC
	CENTER CONTACT	SILVER	
	COUPLING NUT	ALBALOY	

DRAWN	W. YANG	DATE	08/06/19
CHECKED	L. YANG	DATE	08/06/19
APPROVED	J. QU	DATE	08/06/19
UNLESS OTHERWISE SPECIFIED DIMENSIONS ARE IN MILLINMETERS, DIMENSIONS IN [] ARE IN INCHES FOR CUSTOMER REFERENCE ONLY UNLESS OTHERWISE SPECIFIED TOLERANCE ARE:		THESE DRAWINGS AND SPECIFICATIONS ARE THE PROPERTY OF ANOISON ELECTRONICS LTD AND SHOULD NOT BE USED WITHOUT WRITTEN PERMISSION COPYRIGHT © 2019 ANOISON ELECTRONICS LTD	
.XX	±0.13 [.005"]		
.X	±0.20 [.008"]		
X	±0.50 [.019"]		
.X°	±1°		
X°	±2°		



TITLE			
ADAPTER, N MALE TO SMA FEMALE			
VIEW	PART NO.		
	ANO 511-212-1024		
SIZE	SCALE	SHEET	REV.
A3	2.5:1	1/1	C

4

3

2

1