

4

3

2

1

MATERIAL & FINISH:

- 1 BODY: STAINLESS STEEL, PASSIVATED
- 2 CENTER CONTACT: BERYLLIUM COPPER ALLOY, GOLD PLATED
- 3 COUPLING NUT: STAINLESS STEEL, PASSIVATED
- 4 RETAINING RING: BERYLLIUM COPPER ALLOY
- 5 INSULATOR: PTFE & PEI
- 6 O-RING: SILICONE RUBBER

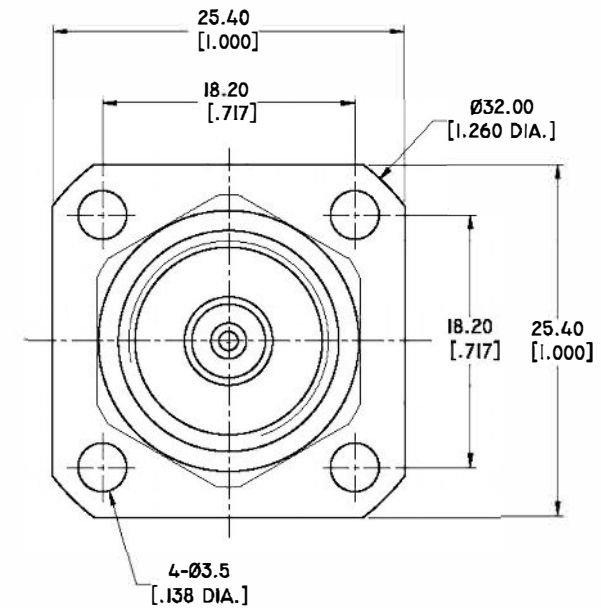
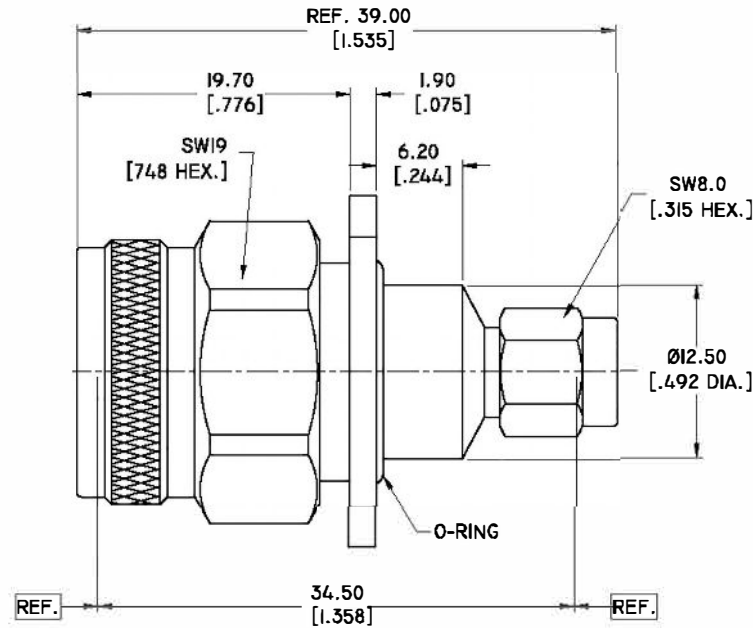
ELECTRICAL DATA:

- 1 IMPEDANCE: 50 Ω
- 2 FREQUENCY RANGE: DC~18 GHz
- 3 VSWR: 1.15 MAX.
- 4 DIELECTRIC WITHSTANDING VOLTAGE: 1000 VRMS MIN.

ENVIRONMENTAL DATA:

- 1 TEMPERATURE RANGE: -65°C~+165°C
- 2 2011/65/EU (RoHS): COMPLIANT



REVISIONS			
REV.	DESCRIPTION	DATE	APPROVED
A	INITIAL RELEASE	04/18/18	J. QU



DRAWN	W. YANG	DATE	04/18/18
CHECKED	X. B. YANG	DATE	04/18/18
APPROVED	J. QU	DATE	04/18/18
UNLESS OTHERWISE SPECIFIED DIMENSIONS ARE IN MILLIMETERS. DIMENSIONS IN [] ARE IN INCHES FOR CUSTOMER REFERENCE ONLY UNLESS OTHERWISE SPECIFIED TOLERANCE ARE:		THESE DRAWINGS AND SPECIFICATIONS ARE THE PROPERTY OF ANISOION ELECTRONICS LTD AND SHOULD NOT BE USED WITHOUT WRITTEN PERMISSION COPYRIGHT © 2018 ANISOION ELECTRONICS LTD	
.XX	±0.13 [.005"]		
.X	±0.20 [.008"]		
X	±0.50 [.019"]		
.X°	±1°		
X°	±2°		



TITLE
ADAPTER, N MALE TO SMA MALE, 4 HOLE FLANGE

VIEW	PART NO. ANO 511-211-1451		
 	SIZE A3	SCALE 2.5:1	SHEET 1/1
			REV. A

4

3

2

1