

MATERIAL & FINISH:

- 1 BODY: BRASS, SEE TABLE
- 2 CENTER CONTACT: BRASS, SEE TABLE
- 3 COUPLING NUT: BRASS, SEE TABLE
- 4 INSULATOR: PTFE
- 5 GASKET: SILICONE RUBBER

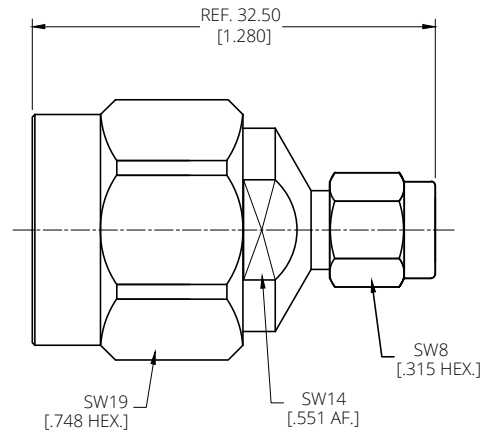
ELECTRICAL DATA:

- 1 IMPEDANCE: 50 Ω
- 2 FREQUENCY RANGE: DC~18 GHz
- 3 VSWR: 1.30 MAX.
- 4 PIM3: SEE TABLE

ENVIRONMENTAL DATA:

- 1 TEMPERATURE RANGE: -65°C~+125°C
- 2 2011/65/EU(RoHS) AND 2015/863/(RoHS): COMPLIANT
- 3 1907/2006/EC(REACH): COMPLIANT

REVISIONS			
REV.	DESCRIPTION	DATE	APPROVED
A	INITIAL RELEASE	04/14/17	J. Q
B	1. FINISH CHANGED 2. PART NO. ANO 511-21-1121-1 ADDED 3. PIM3 ADDED	07/24/18	J. Q
C	COUPLING NUT CHANGED	10/14/24	J. Q



TABLE

PART NO.	PART	FINISH	PIM3 (2X43 dBm) @ 0.4~3 GHz
ANO 511-211-1121	BODY	NICKEL	—————
	CENTER CONTACT	GOLD	
	COUPLING NUT	NICKEL	
ANO 511-211-1121-1	BODY	ALBALOY	< -155 dBC
	CENTER CONTACT	SILVER	
	COUPLING NUT	ALBALOY	

DRAWN	Y. H	DATE	10/14/24
CHECKED	X. Y	DATE	10/14/24
APPROVED	J. Q	DATE	10/14/24
UNLESS OTHERWISE SPECIFIED DIMENSIONS ARE IN MILLIMETERS, DIMENSIONS IN [] ARE IN INCHES FOR CUSTOMER REFERENCE ONLY UNLESS OTHERWISE SPECIFIED TOLERANCE ARE:		THESE DRAWINGS AND SPECIFICATIONS ARE THE PROPERTY OF ANOISON ELECTRONICS LTD AND SHOULD NOT BE USED WITHOUT WRITTEN PERMISSION COPYRIGHT © 2024 ANOISON ELECTRONICS LTD	
XX	±0.13 [0.05"]		
X	±0.20 [0.08"]		
X	±0.50 [0.19"]		
X°	±1°		
X"	±2°		



TITLE			
ADAPTER, N MALE TO SMA MALE			
VIEW	PART NO.		
	ANO 511-211-1121		
SIZE	SCALE	SHEET	REV.
A3	2.5:1	1/1	C