

MATERIAL & FINISH

- 1 CONNECTOR BODY: BRASS, NICKEL PLATING
- 2 CENTER CONTACT: BRONZE, SILVER PLATED
- 3 INSULATOR: PTFE
- 4 RADIATOR: ALUMINIUM, BLACK

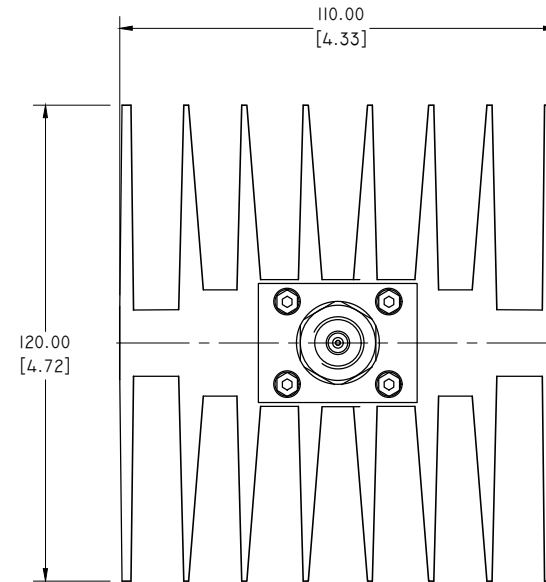
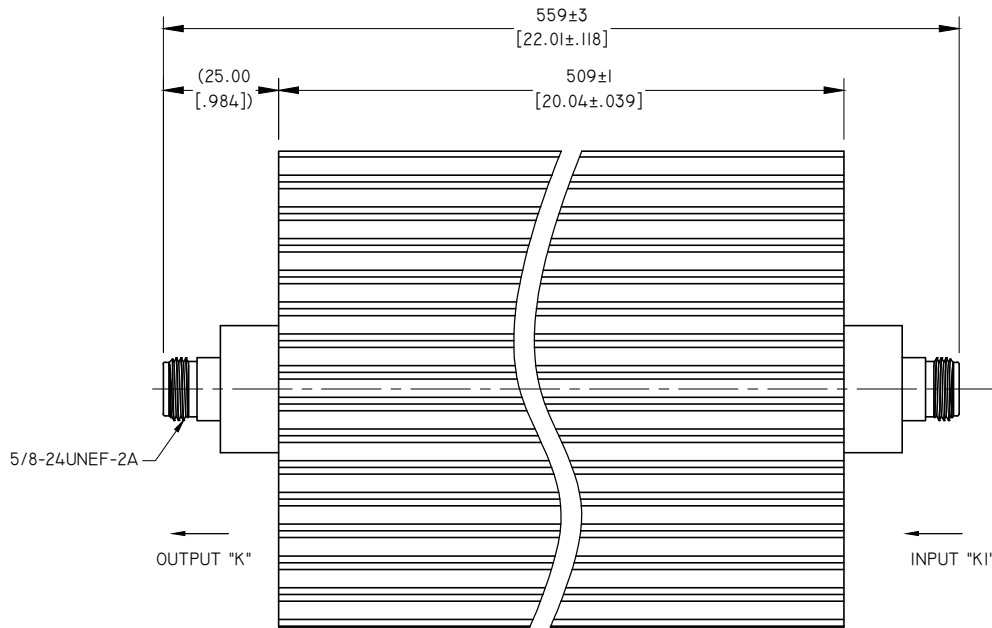
ENVIRONMENTAL DATA:

- 1 OPERATING TEMPERATURE RANGE: -55°C~+100°C
- 2 2015/863/(RoHS): COMPLIANT
- 3 1907/2006/EC(REACH) AND 1999/45/EC(REACH): COMPLIANT

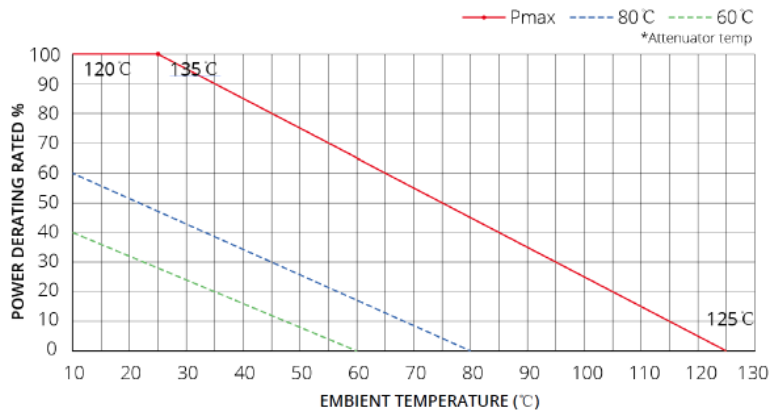
ELECTRICAL DATA:

- 1 IMPEDANCE: 50 Ω
- 2 FREQUENCY RANGE: DC~8 GHz
- 3 VSWR: 1.30 MAX.
- 4 AVERAGE POWER: 500 WATTS AVERAGE TO 25°C AMBIENT TEMPERATURE, DERATED LINEARLY TO 50W @ 100°C
- 5 PEAK POWER: MAXIMUM POWER 2 KW (5μS PULSE WIDTH WITH THE MAXIMUM 12.5% DUTY CYCLE)
- 6 WORKING TIME: NO AIR COOLING, ≤5 MINUTES, COOLING TO BELOW 30°C CAN BE USED AGAIN, WHEN THERE IS AIR COOLING, THE AIR VOLUME IS ≥100CFM, LONG-TERM WORK

REVISIONS			
REV.	DESCRIPTION	DATE	APPROVED
A	INITIAL RELEASE	07/01/25	J. Q



POWER DERATING CURVE VS AMBIENT TEMPERATURE



PART NO. ANO 51-50005-XX	ATTENUATION VALUES & ACCURACY					
	10 DB	20 DB	30 DB	40 DB	50 DB	60 DB
	±2.5 DB	±2.5 DB	±1.1 DB	±1.1 DB	±1.1 DB	±1.1 DB

NOTE: XX REFER TO ATTENUATION VALUE IN DB

DRAWN	W. Y	DATE	07/01/25
CHECKED	X. Y	DATE	07/01/25
APPROVED	J. Q	DATE	07/01/25
UNLESS OTHERWISE SPECIFIED DIMENSIONS ARE IN MILLIMETERS, DIMENSIONS IN [] ARE IN INCHES FOR CUSTOMER REFERENCE ONLY UNLESS OTHERWISE SPECIFIED TOLERANCE ARE:		THESE DRAWINGS AND SPECIFICATIONS ARE THE PROPERTY OF ANOISON ELECTRONICS LTD AND SHOULD NOT BE USED WITHOUT WRITTEN PERMISSION COPYRIGHT © 2025 ANOISON ELECTRONICS LTD	
.XX	±0.13 [.005"]		
.X	±0.20 [.008"]		
X	±0.50 [.019"]		
.X°	±1°		
X°	±2°		



TITLE ATTENUATOR, N FEMALE TO FEMALE 500 WATTS UNI DIRECTIONAL, DC~8GHZ			
VIEW 		PART NO. ANO 51-50005-XX	
SIZE A3	SCALE 1:1	SHEET 1/1	REV. A