

4

3

2

1

REVISIONS

REV.	DESCRIPTION	DATE	APPROVED
A	INITIAL RELEASE	12/09/22	J. Q

MATERIAL & FINISH

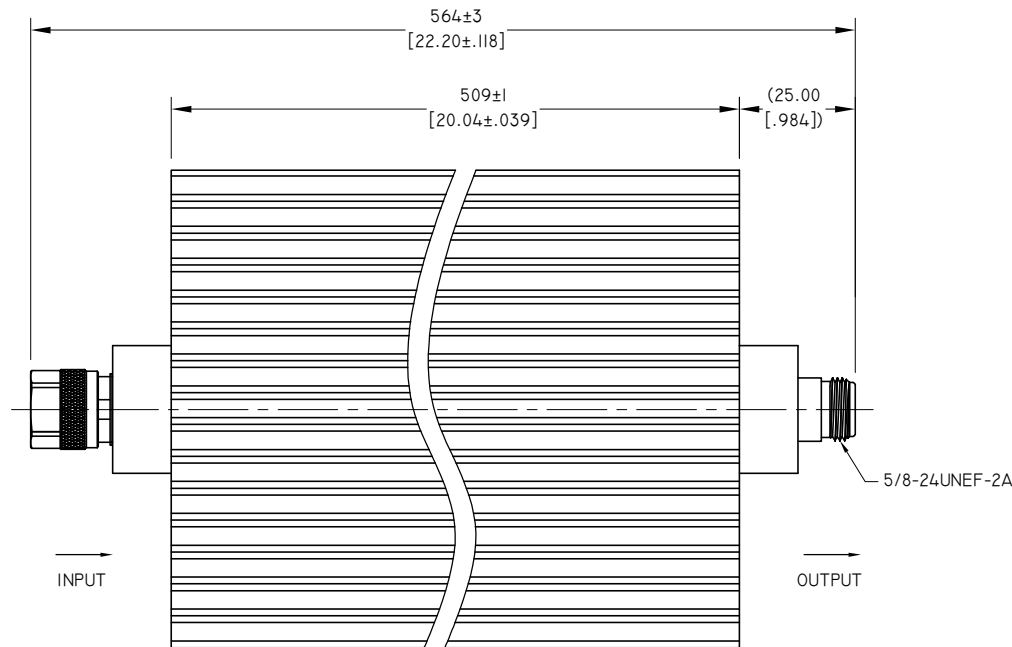
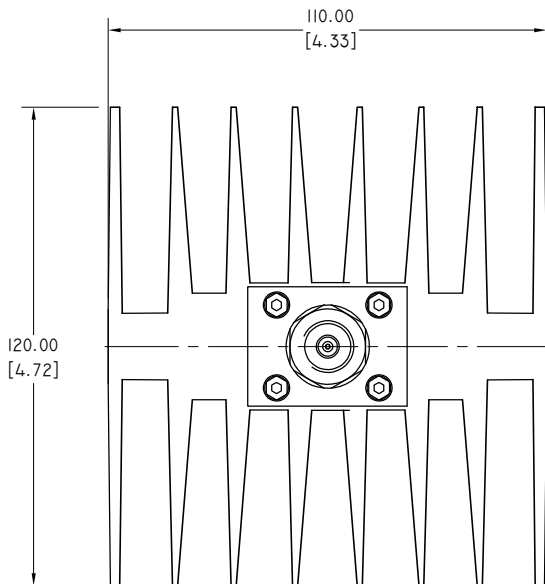
- 1 CONNECTOR BODY: BRASS, NICKEL PLATING
- 2 CENTER CONTACT: BRONZE, SILVER PLATED
- 3 INSULATOR: PTFE
- 4 RADIATOR: ALUMINIUM, BLACK

ENVIRONMENTAL DATA:

- 1 OPERATING TEMPERATURE RANGE: -55°C~+100°C
- 2 2015/863/(RoHS): COMPLIANT
- 3 1907/2006/EC(REACH) AND 1999/45/EC(REACH): COMPLIANT
- 4 WEIGHT: 7.5KG

ELECTRICAL DATA:

- 1 IMPEDANCE: 50 Ω
- 2 FREQUENCY RANGE: DC~8 GHz
- 3 VSWR: 1.30 MAX.
- 4 AVERAGE POWER: 500 WATTS AVERAGE TO 25°C AMBIENT TEMPERATURE, DERATED LINEARLY TO 50W @ 100°C



PART NO. ANO 51-50001-XX	ATTENUATION VALUES & ACCURACY					
	10 DB	20 DB	30 DB	40 DB	50 DB	60 DB
	±2.5 DB	±2.0 DB	±1.1 DB	±1.1 DB	±1.1 DB	±1.1 DB

NOTE: XX REFER TO ATTENUATION VALUE IN DB

DRAWN	W. Y	DATE	12/09/22
CHECKED	X. Y	DATE	12/09/22
APPROVED	J. Q	DATE	12/09/22
UNLESS OTHERWISE SPECIFIED DIMENSIONS ARE IN MILLIMETERS, DIMENSIONS IN [] ARE IN INCHES FOR CUSTOMER REFERENCE ONLY UNLESS OTHERWISE SPECIFIED TOLERANCE ARE:		THESE DRAWINGS AND SPECIFICATIONS ARE THE PROPERTY OF ANOISON ELECTRONICS LTD AND SHOULD NOT BE USED WITHOUT WRITTEN PERMISSION COPYRIGHT © 2022 ANOISON ELECTRONICS LTD	
.XX	±0.13 [.005"]		
.X	±0.20 [.008"]		
X	±0.50 [.019"]		
X°	±1°		
X*	±2°		



TITLE
ATTENUATOR, N MALE TO FEMALE 500 WATTS UNI DIRECTIONAL, DC~8GHZ

VIEW	PART NO. ANO 51-50001-XX			
	SIZE A3	SCALE 1:1	SHEET 1/1	REV. A

4

3

2

1