

4

3

2

1

## MATERIAL &amp; FINISH:

- 1 BODY: STAINLESS STEEL, PASSIVATED
- 2 CENTER CONTACT: BERYLLIUM COPPER, GOLD PLATED
- 3 INSULATOR: PEI
- 4 COUPLING NUT: STAINLESS STEEL, PASSIVATED
- 5 RADIATOR: ALUMINIUM, BLACK

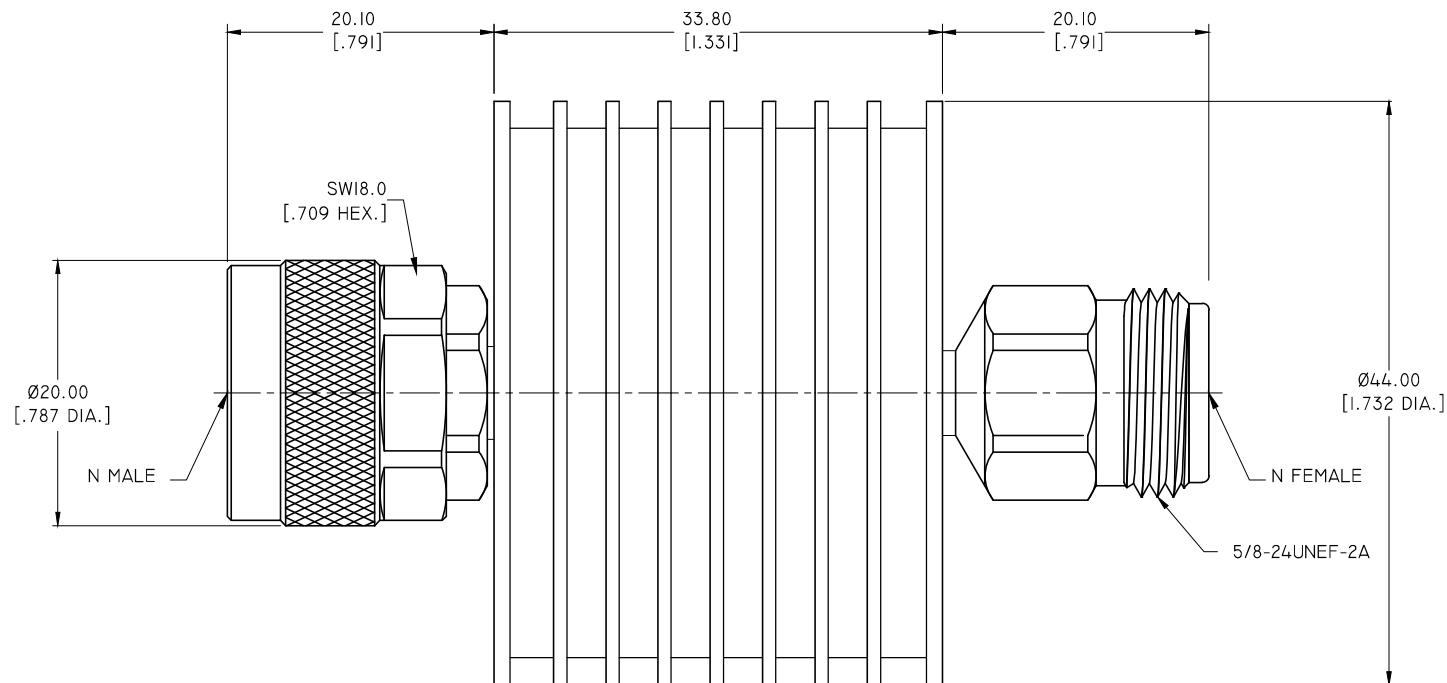
## ELECTRICAL DATA:

- 1 IMPEDANCE: 50  $\Omega$
- 2 FREQUENCY RANGE: DC-18GHZ
- 3 VSWR: 1.20 MAX.
- 4 AVERAGE POWER: MAXIMUM POWER 20 WATTS AVERAGE TO 25°C AMBIENT TEMPERATURE, DERATED LINEARLY TO 2W @ 125°C
- 5 PEAK POWER: MAXIMUM POWER 300 W (5 $\mu$ S PULSE WIDTH WITH THE MAXIMUM 5% DUTY CYCLE)
- 6 ATTENUATOR ACCURACY: SEE TABLE

REVISIONS			
REV.	DESCRIPTION	DATE	APPROVED
A	INITIAL RELEASE	08/21/19	J. QU

## ENVIRONMENTAL DATA:

- 1 TEMPERATURE RANGE: -55°C~+125°C
- 2 2011/65/EU(RoHS) AND 2015/863/(RoHS): COMPLIANT
- 3 1907/2006/EC(REACH) AND 1999/45/EC(REACH): COMPLIANT



PART NO.	ATTENUATION VALUES & ACCURACY				
	1 DB ~ 10 DB	15 DB	20 DB	25 DB	30 DB
ANO 51-2001-XX	+0.6 DB -0.5 DB	+0.6 DB -0.5 DB	+0.6 DB -0.5 DB	+0.7 DB -0.6 DB	+0.7 DB -0.6 DB

NOTE: XX REFER TO ATTENUATION VALUE IN DB

DRAWN	W. YANG	DATE	08/21/19
CHECKED	X. B. YANG	DATE	08/21/19
APPROVED	J. QU	DATE	08/21/19
UNLESS OTHERWISE SPECIFIED DIMENSIONS ARE IN MILLIMETERS. DIMENSIONS IN [ ] ARE IN INCHES FOR CUSTOMER REFERENCE ONLY UNLESS OTHERWISE SPECIFIED TOLERANCE ARE:		THESE DRAWINGS AND SPECIFICATIONS ARE THE PROPERTY OF ANOISON ELECTRONICS LTD AND SHOULD NOT BE USED WITHOUT WRITTEN PERMISSION COPYRIGHT © 2019 ANOISON ELECTRONICS LTD	
	.XX		+0.13 [.005"]
	.X		+0.25 [.010"]
	X		+0.50 [.019"]
	.X°		±1°
	X°		±2°



TITLE  
ATTENUATOR N MALE TO N FEMALE, 20W, DC-18GHZ

VIEW	PART NO. ANO 51-2001-XX			
	SIZE	SCALE	SHEET	REV.
	A3	5:1	1/1	A

4

3

2

1