

4 3 2 1

REVISIONS			
REV.	DESCRIPTION	DATE	APPROVED
A	INITIAL RELEASE	09/15/23	J. Q

MATERIAL & FINISH

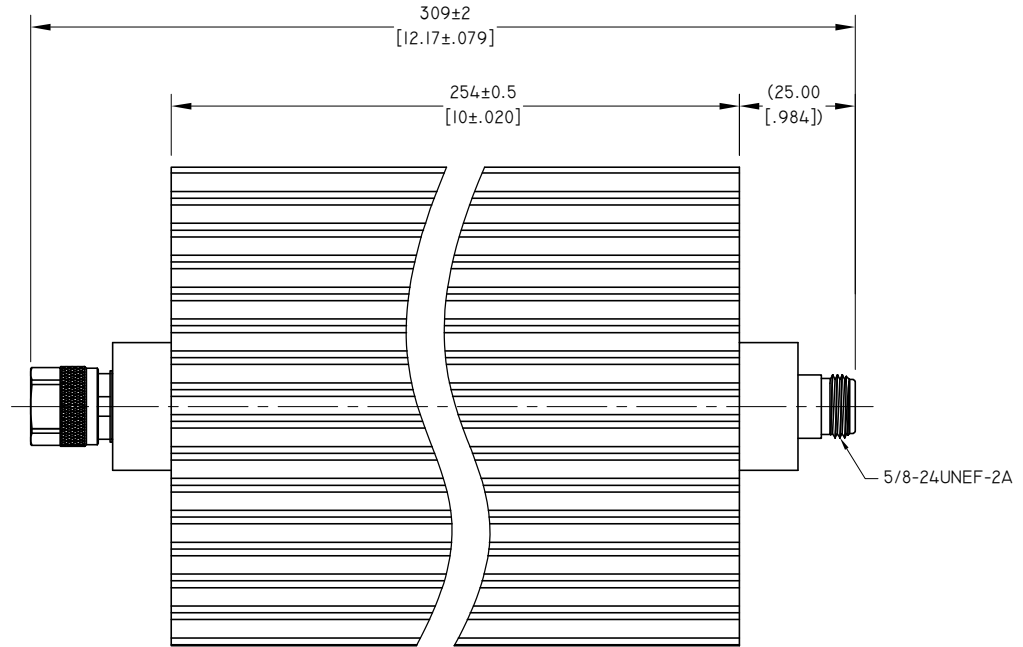
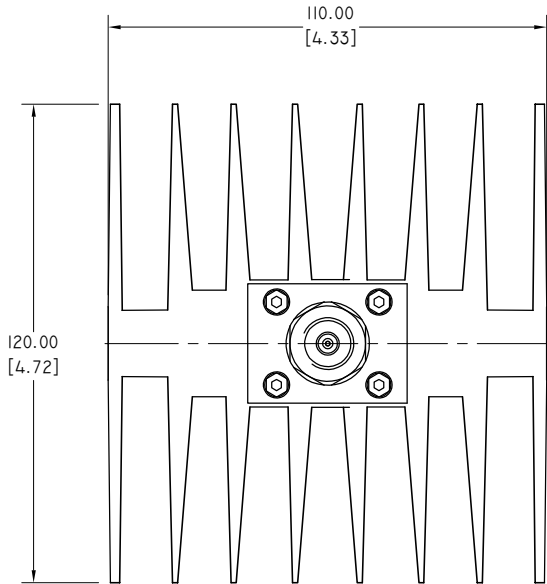
- 1 CONNECTOR BODY: BRASS, NICKEL PLATING
- 2 CENTER CONTACT: BRONZE, SILVER PLATED
- 3 INSULATOR: PTFE
- 4 RADIATOR: ALUMINIUM, BLACK

ENVIRONMENTAL DATA:

- 1 OPERATING TEMPERATURE RANGE: -55°C~+100°C
- 2 2015/863/(RoHS): COMPLIANT
- 3 1907/2006/EC(REACH) AND 1999/45/EC(REACH): COMPLIANT

ELECTRICAL DATA:

- 1 IMPEDANCE: 50 Ω
- 2 FREQUENCY RANGE: DC-12.4 GHz
- 3 VSWR: 1.35 MAX.
- 4 AVERAGE POWER: 150 WATTS AVERAGE TO 25°C AMBIENT TEMPRATRUE, DERATED LINEARLY TO 15W @ 100°C



PART NO. ANO 5I-15006-XX	ATTENUATION VALUES & ACCURACY				
	10 DB	20 DB	30 DB	40 DB	50-60 DB
	±2.5 DB	±2.5 DB	±1.0 DB	±1.1 DB	±1.1 DB

NOTE: XX REFER TO ATTENUATION VALUE IN DB

DRAWN	W. Y	DATE	09/15/23
CHECKED	X. Y	DATE	09/15/23
APPROVED	J. Q	DATE	09/15/23
UNLESS OTHERWISE SPECIFIED DIMENSIONS ARE IN MILLIMETERS, DIMENSIONS IN [] ARE IN INCHES FOR CUSTOMER REFERENCE ONLY UNLESS OTHERWISE SPECIFIED TOLERANCE ARE:		THESE DRAWINGS AND SPECIFICATIONS ARE THE PROPERTY OF ANOISON ELECTRONICS LTD AND SHOULD NOT BE USED WITHOUT WRITTEN PERMISSION COPYRIGHT © 2023 ANOISON ELECTRONICS LTD	
.XX	±0.13 [.005"]		
.X	±0.20 [.008"]		
X	±0.50 [.019"]		
X*	±1°		
X*	±2°		

TITLE
ATTENUATOR, N MALE TO FEMALE 150 WATTS BIDIRECTIONAL, DC-12.4GHZ

VIEW

PART NO. ANO 5I-15006-XX

SIZE	SCALE	SHEET	REV.
A3	1:1	1/1	A

4 3 2 1