

4

3

2

1

REVISIONS			
REV.	DESCRIPTION	DATE	APPROVED
A	INITIAL RELEASE	09/15/23	J. Q

**MATERIAL & FINISH**

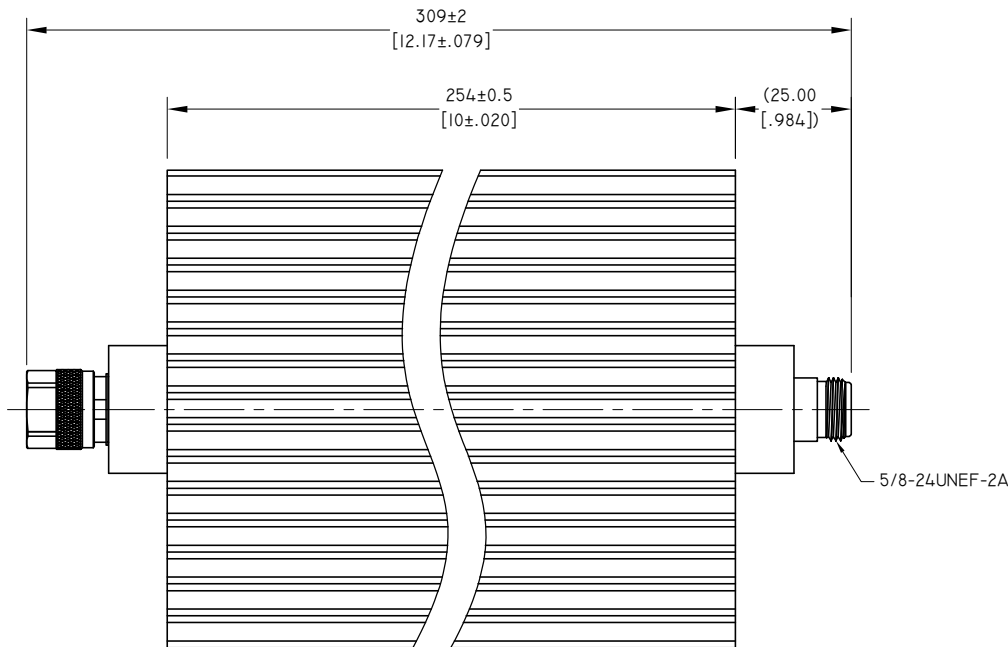
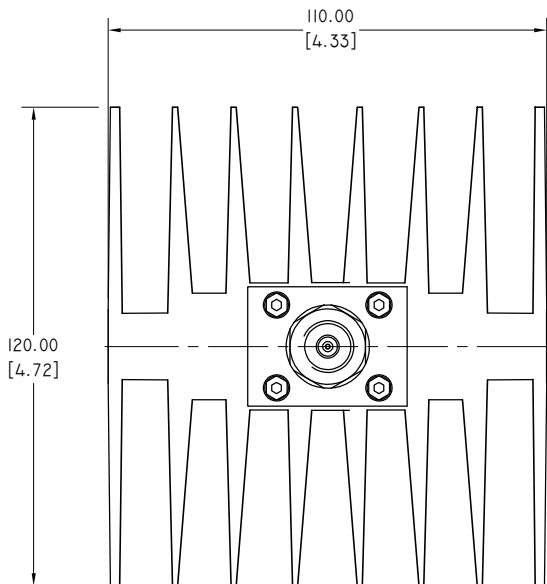
- 1 CONNECTOR BODY: BRASS, NICKEL PLATING
- 2 CENTER CONTACT: BRONZE, SILVER PLATED
- 3 INSULATOR: PTFE
- 4 RADIATOR: ALUMINIUM, BLACK

**ELECTRICAL DATA:**

- 1 IMPEDANCE: 50 Ω
- 2 FREQUENCY RANGE: DC~4 GHz
- 3 VSWR: 1.20 MAX.
- 4 AVERAGE POWER: 150 WATTS AVERAGE TO 25°C AMBIENT TEMPRATRUE, DERATED LINEARLY TO 15W @ 100°C

**ENVIRONMENTAL DATA:**

- 1 OPERATING TEMPERATURE RANGE: -55°C~+100°C
- 2 2015/863/(RoHS): COMPLIANT
- 3 1907/2006/EC(REACH) AND 1999/45/EC(REACH): COMPLIANT



PART NO. ANO 51-15004-XX	ATTENUATION VALUES & ACCURACY				
	10 DB	20 DB	30 DB	40 DB	50-60 DB
	±0.7 DB	±0.7 DB	±0.8 DB	±0.9 DB	±0.9 DB

NOTE: XX REFER TO ATTENUATION VALUE IN DB

DRAWN	W. Y	DATE	09/15/23
CHECKED	X. Y	DATE	09/15/23
APPROVED	J. Q	DATE	09/15/23
UNLESS OTHERWISE SPECIFIED DIMENSIONS ARE IN MILLIMETERS, DIMENSIONS IN [ ] ARE IN INCHES FOR CUSTOMER REFERENCE ONLY UNLESS OTHERWISE SPECIFIED TOLERANCE ARE:		THESE DRAWINGS AND SPECIFICATIONS ARE THE PROPERTY OF ANOISON ELECTRONICS LTD AND SHOULD NOT BE USED WITHOUT WRITTEN PERMISSION COPYRIGHT © 2023 ANOISON ELECTRONICS LTD	
.XX	±0.13 [ .005"		
.X	±0.20 [ .008"		
X	±0.50 [ .019"		
X°	±1°		
X"	±2°		



TITLE ATTENUATOR, N MALE TO FEMALE 150 WATTS BIDIRECTIONAL, DC~4GHZ			
VIEW	PART NO. ANO 51-15004-XX		
	SIZE A3	SCALE 1:1	SHEET 1/1
		REV. A	

4

3

2

1