

4 3 2 1

REVISIONS			
REV.	DESCRIPTION	DATE	APPROVED
A	INITIAL RELEASE	09/07/20	J. QU

MATERIAL & FINISH:

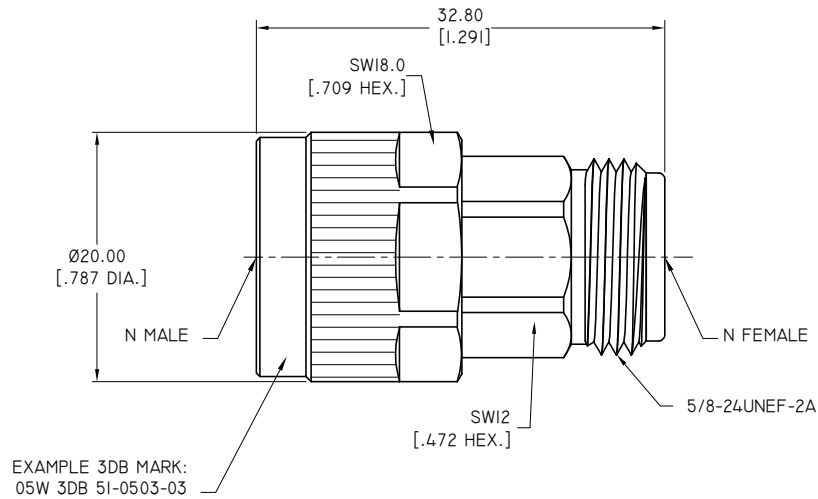
- 1 BODY: STAINLESS STEEL, PASSIVATED
- 2 CENTER CONTACT: BERYLLIUM COPPER, GOLD PLATED
- 3 INSULATOR: PEI
- 4 COUPLING NUT: STAINLESS STEEL, PASSIVATED
- 5 RADIATOR: ALUMINIUM, BLACK

ELECTRICAL DATA:

- 1 IMPEDANCE: 50 Ω
- 2 FREQUENCY RANGE: DC-18GHZ
- 3 VSWR: 1.19 MAX.
- 4 AVERAGE POWER: MAXIMUM POWER 5 WATTS AVERAGE TO 25°C AMBIENT TEMPERATURE, DERATED LINEARLY TO 0.5W @ 125°C
- 5 PEAK POWER: MAXIMUM POWER 50 W (5μS PULSE WIDTH WITH THE MAXIMUM 4% DUTY CYCLE)
- 6 ATTENUATOR ACCURACY: SEE TABLE

ENVIRONMENTAL DATA:

- 1 TEMPERATURE RANGE: -55°C~+125°C
- 2 2011/65/EU(RoHS) AND 2015/863/(RoHS): COMPLIANT
- 3 1907/2006/EC(REACH) AND 1999/45/EC(REACH): COMPLIANT



PART NO.	ATTENUATION VALUES & ACCURACY			
	1 DB ~ 10 DB	11 DB ~ 20 DB	21 DB ~ 30 DB	31 DB ~ 40 DB
ANO 51-0503-XX	+0.5 DB -0.3 DB	+0.6 DB -0.3 DB	+0.7 DB -0.3 DB	+1.0 DB -0.9 DB

NOTE: XX REFER TO ATTENUATION VALUE IN DB

DRAWN	W. YANG	DATE	09/07/20
CHECKED	X. B. YANG	DATE	09/07/20
APPROVED	J. QU	DATE	09/07/20
UNLESS OTHERWISE SPECIFIED DIMENSIONS ARE IN MILLIMETERS, DIMENSIONS IN [] ARE IN INCHES FOR CUSTOMER REFERENCE ONLY UNLESS OTHERWISE SPECIFIED TOLERANCE ARE:		THESE DRAWINGS AND SPECIFICATIONS ARE THE PROPERTY OF ANOISON ELECTRONICS LTD AND SHOULD NOT BE USED WITHOUT WRITTEN PERMISSION COPYRIGHT © 2020 ANOISON ELECTRONICS LTD	
.XX	±0.13 [.005"]		
.X	±0.25 [.010"]		
X	±0.50 [.019"]		
.X°	±1°		
X°	±2°		



TITLE			
ATTENUATOR N MALE TO N FEMALE, 5W, DC-18GHZ			
VIEW	PART NO.		
	ANO 51-0503-XX		
SIZE	SCALE	SHEET	REV.
A3	5:1	1/1	A

4 3 2 1