

4

3

2

1

**MATERIAL & FINISH:**

- 1 BODY: BRASS, ALBALOY PLATED
- 2 CENTER CONTACT: BERYLLIUM COPPER ALLOY, GOLD PLATED
- 3 INSULATOR: PTFE
- 4 COUPLING NUT: BRASS, ALBALOY PLATED
- 5 O-RING: SILICONE RUBBER

**ENVIRONMENTAL DATA:**

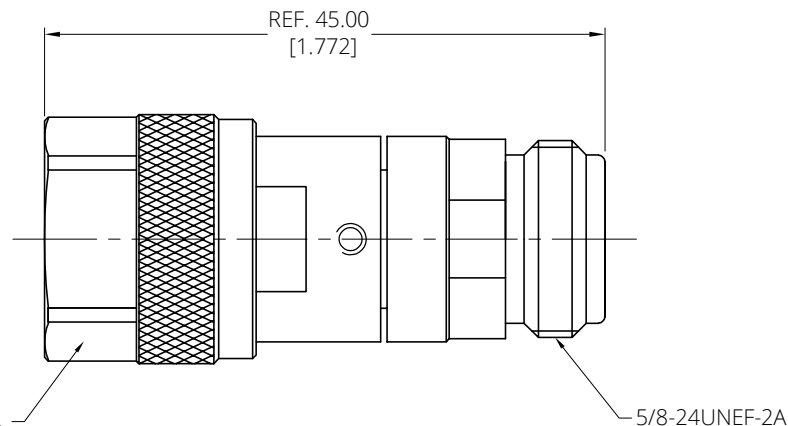
- 1 TEMPERATURE RANGE: -55°C~+125°C
- 2 2011/65/EU(RoHS) AND 2015/863/(RoHS): COMPLIANT
- 3 1907/2006/EC(REACH): COMPLIANT

**ELECTRICAL DATA:**

- 1 IMPEDANCE: 50 Ω
- 2 FREQUENCY RANGE: DC~18 GHz
- 3 VSWR: 1.35 MAX.
- 4 AVERAGE POWER: MAXIMUM POWER 2 WATTS AVERAGE TO 25°C AMBIENT TEMPERATRUE, DERATED LINEARLY TO 0.2W @ 125°C
- 5 PEAK POWER: MAXIMUM POWER 100 W (5μS PLUSE WIDTH WITH THE MAXIMUM 1% DUTY CYCLE)
- 6 ATTENUATOR ACCURACY: SEE TABLE

REVISIONS

REV.	DESCRIPTION	DATE	APPROVED
A	INITIAL RELEASE	04/04/23	J. Q



PART NO.	ATTENUATION VALUES & ACCURACY		
	1 dB~10dB	20 dB	30 dB
ANO 51-0206-XX	±0.7 dB	±0.8 dB	±1.0 dB

DRAWN	W. Y	DATE	04/04/23
CHECKED	X. Y	DATE	04/04/23
APPROVED	J. Q	DATE	04/04/23
UNLESS OTHERWISE SPECIFIED DIMENSIONS ARE IN MILLIMETERS, DIMENSIONS IN [ ] ARE IN INCHES FOR CUSTOMER REFERENCE ONLY UNLESS OTHERWISE SPECIFIED TOLERANCE ARE:		THESE DRAWINGS AND SPECIFICATIONS ARE THE PROPERTY OF ANOISON ELECTRONICS LTD AND SHOULD NOT BE USED WITHOUT WRITTEN PERMISSION COPYRIGHT © 2023 ANOISON ELECTRONICS LTD	
	XX	±0.13 [005"]	
	X	±0.20 [008"]	
	X	±0.50 [019"]	
	X°	±1°	
	X°	±2°	



TITLE  
ATTENUATOR, N MALE TO N FEMALE, 2W, BIDIRECTIONAL, DC-18GHz

VIEW	PART NO. ANO 51-0206-XX	SIZE A3	SCALE 2.5:1	SHEET 1/1	REV. A
------	----------------------------	------------	----------------	--------------	-----------

4

3

2

1