

MATERIAL & FINISH:

- 1 BODY: BRASS, ALBALOY PLATED
- 2 COUPLING NUT: BRASS, ALBALOY PLATED
- 3 CENTER CONTACT: BRASS, SILVER PLATED
- 4 INSULATOR: PTFE
- 5 O-RING: SILICONE RUBBER

MECHANICAL DATA:

- 1 MECHANICAL DURABILITY: 100 CYCLES MIN.
- 2 RECOMMENDED TORQUE: 5 NM
- 3 CENTER RETENTION FORCE:
AXIAL DIRECTION 27 [6 LBS] N MIN.
- 4 CORROSION: MIL-STD-202, METHOD 101, COND.B
- 5 INTERFACE PER: IEC61169-54

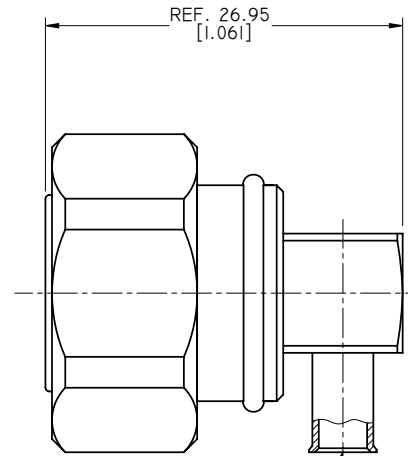
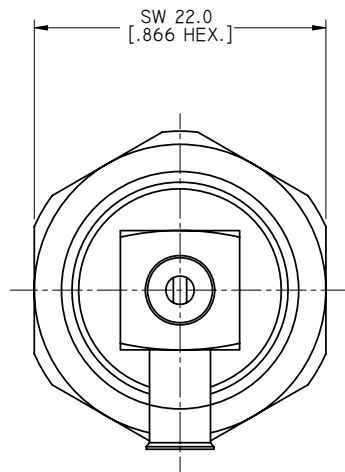
ELECTRICAL DATA:

- 1 IMPEDANCE: 50 Ω
- 2 FREQUENCY RANGE: DC~6 GHZ
- 3 VSWR: 1.30 MAX.
- 4 RF LEAKAGE: -90 DB MIN. AT 2 TO 3 GHZ
- 5 CONTACT RESISTANCE: CENTER CONTACT: 1.0 MΩ
OUTER CONTACT: 0.2 MΩ
- 6 INSULATION RESISTANCE: 5000 MΩ
- 7 INTERMODULATION(3RD ORDER): < -160 DBC(2X43 DBM) AT 0.9~4 GHZ

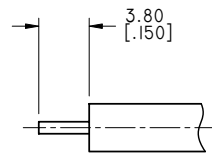
ENVIRONMENTAL DATA:

- 1 TEMPERATURE RANGE: -55°C~+90°C
- 2 2011/65/EU (RoHS): COMPLIANT

REVISIONS			
REV.	DESCRIPTION	DATE	APPROVED
E	OUTLINE DRAWING CHANGED	03/22/15	J. QU
F	MECHANICAL DURABILITY: 500 CYCLES CHANGED TO 100 CYCLES	06/16/17	J. QU



SOLDER CONNECTION FOR RG-402 CABLE



CABLE STRIPPING DIMENSIONS

DRAWN	X. B. YANG	DATE	06/16/17
CHECKED	L. YANG	DATE	06/16/17
APPROVED	J. QU	DATE	06/16/17
UNLESS OTHERWISE SPECIFIED DIMENSIONS ARE IN MILLIMETERS, DIMENSIONS IN [] ARE IN INCHES FOR CUSTOMER REFERENCE ONLY UNLESS OTHERWISE SPECIFIED TOLERANCE ARE:		THESE DRAWINGS AND SPECIFICATIONS ARE THE PROPERTY OF ANOISON ELECTRONICS LTD AND SHOULD NOT BE USED WITHOUT WRITTEN PERMISSION COPYRIGHT © 2017 ANOISON ELECTRONICS LTD	
.XX	±0.13 [.005"]		
.X	±0.20 [.008"]		
X	±0.50 [.019"]		
.X°	±1°		
X°	±2°		



TITLE			
4.3-10 RIGHT ANGLE MALE SOLDER FOR .141 CABLE			
VIEW		PART NO.	
		ANO 4721-2002	
SIZE	SCALE	SHEET	REV.
A3	2.5:1	1/1	F