

MATERIAL & FINISH:

- 1 BODY: BRASS, ALBALOY PLATED
- 2 CENTER CONTACT: BERYLLIUM COPPER ALLOY, GOLD PLATED
- 3 OUTERCONTACT: PHOSPHOR BRONZE, SILVER PLATED
- 4 INSULATOR: PTFE

ENVIRONMENTAL DATA:

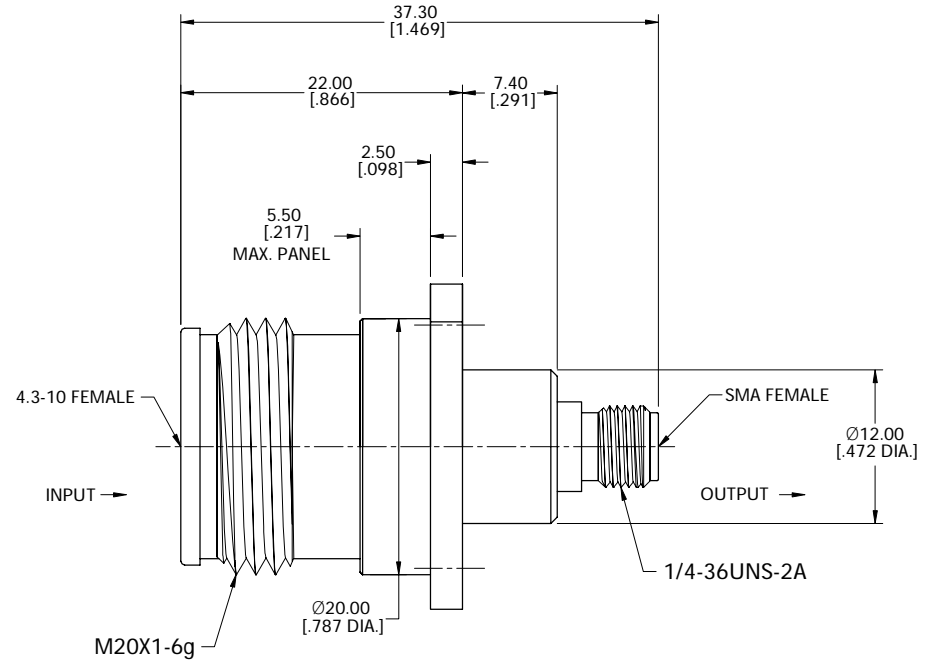
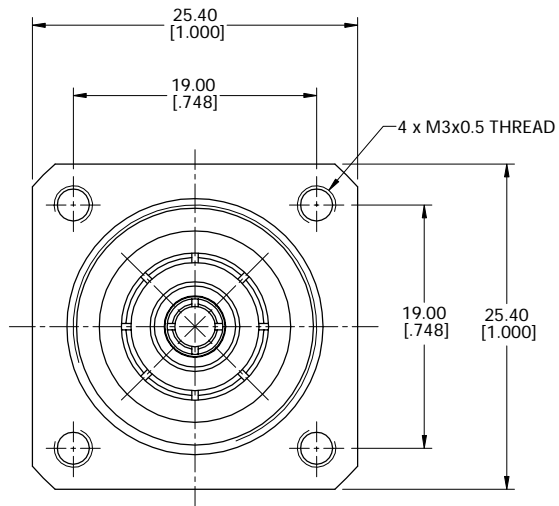
- 1 TEMPERATURE RANGE: -55°C ~ +125°C
- 2 2011/65/EU(RoHS) AND 2015/863/(RoHS): COMPLIANT
- 3 1907/2006/EC(REACH): COMPLIANT

ELECTRICAL DATA:

- 1 IMPEDANCE: 50 Ω
- 2 FREQUENCY RANGE: DC-6 GHz
- 3 VSWR: 1.20 MAX.
- 4 AVERAGE POWER: MAXIMUM POWER 5 WATTS AVERAGE TO 25°C AMBIENT TEMPERATRUE, DERATED LINEARLY TO 0.5W @ 125°C
- 5 PEAK POWER: MAXIMUM POWER 200 W (5μS PULSE WIDTH WITH THE MAXIMUM 1% DUTY CYCLE)
- 6 ATTENUATOR ACCURACY: SEE TABLE
- 7 PIM3: < -90 dBc(2X43 dBm) AT DC-1000 MHz

REVISIONS

REV.	DESCRIPTION	DATE	APPROVED
A	INITIAL RELEASE	10/18/23	J. QU



TABLE

PART NO.	ATTENUATION VALUES & ACCURACY	
	7~10 dB	11~20 dB
ANO 4721-0501-XX	±0.5 dB	±0.6 dB
NOTE: XX REFER TO ATTENUATION VALUE IN dB		

DRAWN	X. Y	DATE	10/18/23
CHECKED	W. Y	DATE	10/18/23
APPROVED	J. Q	DATE	10/18/23

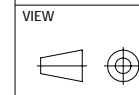
UNLESS OTHERWISE SPECIFIED DIMENSIONS ARE IN MILLIMETERS, DIMENSIONS IN [] ARE IN INCHES FOR CUSTOMER REFERENCE ONLY UNLESS OTHERWISE SPECIFIED TOLERANCE ARE:

XX	±0.13 [005"]
X	±0.20 [008"]
X	±0.50 [019"]
X°	±1°
X"	±2°

THESE DRAWINGS AND SPECIFICATIONS ARE THE PROPERTY OF ANOISON ELECTRONICS LTD AND SHOULD NOT BE USED WITHOUT WRITTEN PERMISSION COPYRIGHT © 2023 ANOISON ELECTRONICS LTD



TITLE
ATTENUATOR, 4.3-10 FEMALE, 4-HOLE FLANGE MOUNT TO SMA FEMALE, 5 WATTS, UNI DIRECTIONAL, DC-6GHz



PART NO. ANO 4721-0501-XX			
SIZE A3	SCALE 2.5:1	SHEET 1/1	REV. A