

**MATERIAL & FINISH**

- 1 BODY: BRASS, ALBALOY PLATED
- 2 CENTER CONTACT: PHOSPHOR BRONZE, SILVER PLATED
- 3 INSULATOR: PTFE
- 4 COUPLING NUT: ALBALOY, NICKEL PLATED
- 5 GASKETE: MVQ(SILICONE RUBBER)

**ENVIRONMENTAL DATA:**

- 1 TEMPERATURE RANGE: -55°C~+125°C
- 2 2011/65/EU (RoHS): COMPLIANT

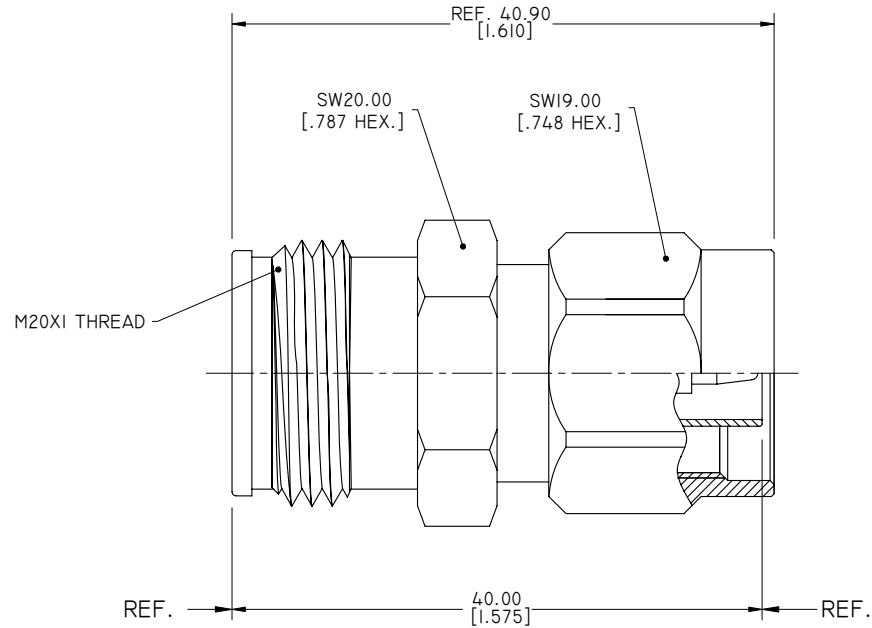
**ELECTRICAL DATA:**

- 1 IMPEDANCE: 50 OHMS
- 2 FREQUENCY RANGE: DC~12 GHZ
- 3 VSWR: 1.10 MAX. AT DC~6 GHZ
- 4 WITHSTANDING VOLTAGE: 2500 VRMS MIN.
- 5 INTERMODULATION(3R<sup>2</sup>; ORDER): <-166 DBC(2X43 DBM) AT 0.4~4 GHZ

**APPLICABLE STANDARDS:**

- 1 4,3-10 INTERFACE ACCORDING TO: IEC61169-54
- 2 N INTERFACE ACCORDING TO: IEC61169-16

REVISIONS			
REV.	DESCRIPTION	DATE	APPROVED
B	INITIAL RELEASE	04/29/15	J. QU
A	VSWR CHANGED	08/28/15	J. QU



DRAWN	X. B. YANG	DATE	08/28/15	
CHECKED	L. YANG	DATE	08/28/15	
APPROVED	J. QU	DATE	08/28/15	
<small>UNLESS OTHERWISE SPECIFIED DIMENSIONS ARE IN MILLIMETERS. DIMENSIONS IN [ ] ARE IN INCHES FOR CUSTOMER REFERENCE ONLY UNLESS OTHERWISE SPECIFIED TOLERANCE ARE:</small>		<small>THESE DRAWINGS AND SPECIFICATIONS ARE THE PROPERTY OF ANOISON ELECTRONICS LTD AND SHOULD NOT BE USED WITHOUT WRITTEN PERMISSION COPYRIGHT © 2015 ANOISON ELECTRONICS LTD</small>		TITLE
				ADAPTER, 4,3-10 FEMALE TO N MALE
		VIEW	PART NO. ANO 472-511-1310	
			SIZE A3	SCALE 2.5:1
			SHEET 1/1	REV. B