

MATERIAL & FINISH:

- 1 BODY: BRASS, ALBALOY PLATED
- 2 OUTER CONTACT: PHOSPHOR BRONZE, SILVER PLATED
- 3 CENTER CONTACT: PHOSPHOR BRONZE, SILVER PLATED
- 4 INSULATOR: PEI
- 5 O-RING: SILICONE RUBBER

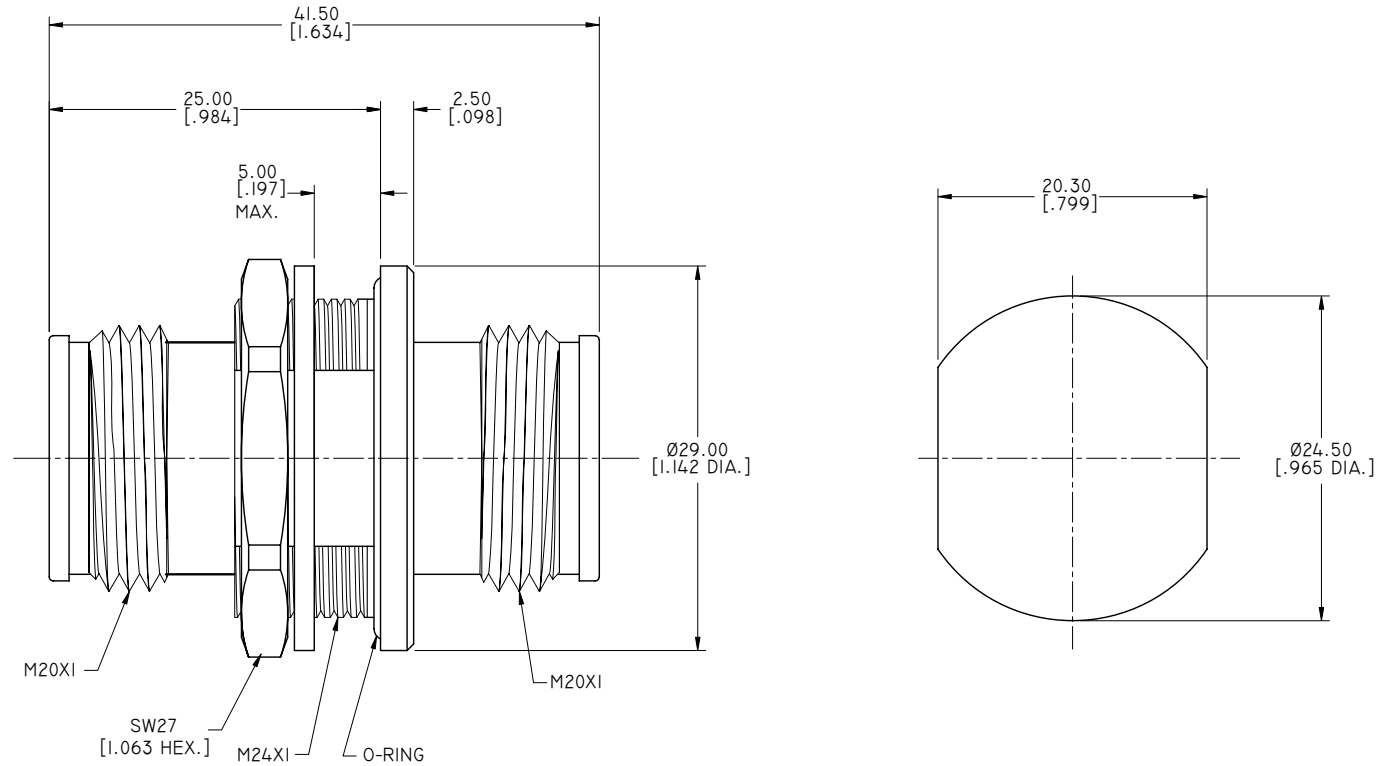
ELECTRICAL DATA:

- 1 IMPEDANCE: 50 Ω
- 2 FREQUENCY RANGE: DC~6 GHZ
- 3 VSWR: 1.10 MAX. AT DC~3 GHZ
1.20 MAX. AT 3~6 GHZ
- 4 PIM3: ≤-160 DBC(2X43 DBM) AT 0.4~3 GHZ

ENVIRONMENTAL DATA:

- 1 TEMPERATURE RANGE: -55°C~+125°C
- 2 2011/65/EU(RoHS) AND 2015/863/(RoHS): COMPLIANT
- 3 1907/2006/EC(REACH) AND 1999/45/EC(REACH): COMPLIANT

REVISIONS			
REV.	DESCRIPTION	DATE	APPROVED
A	INITIAL RELEASE	11/11/19	J. QU



DRAWN	X. B. YANG	DATE	11/11/19
CHECKED	W. YANG	DATE	11/11/19
APPROVED	J. QU	DATE	11/11/19
UNLESS OTHERWISE SPECIFIED DIMENSIONS ARE IN MILLIMETERS. DIMENSIONS IN [] ARE IN INCHES FOR CUSTOMER REFERENCE ONLY UNLESS OTHERWISE SPECIFIED TOLERANCE ARE:		THESE DRAWINGS AND SPECIFICATIONS ARE THE PROPERTY OF ANOISON ELECTRONICS LTD AND SHOULD NOT BE USED WITHOUT WRITTEN PERMISSION COPYRIGHT © 2019 ANOISON ELECTRONICS LTD	
.XX	±0.13 [.005"]		
.X	±0.20 [.008"]		
X	±0.50 [.019"]		
.X°	±1°		
X°	±2°		



TITLE
ADAPTER, 4.3-10 FEMALE TO 4.3-10 FEMALE BULKHEAD

VIEW	PART NO. ANO 472-472-1517		
	SIZE A3	SCALE 2.5:1	SHEET 1/1
		REV. A	