

MATERIAL & FINISH:

1. BODY: BRASS, ALBALOY PLATED
2. CENTER CONTACT: PHOSPHOR BRONZE, SILVER PLATED
4. INSULATOR: PEI

ENVIRONMENTAL DATA:

1. TEMPERATURE RANGE: -55°C~+90°C
2. 2011/65/EC (RoHS): COMPLIANT

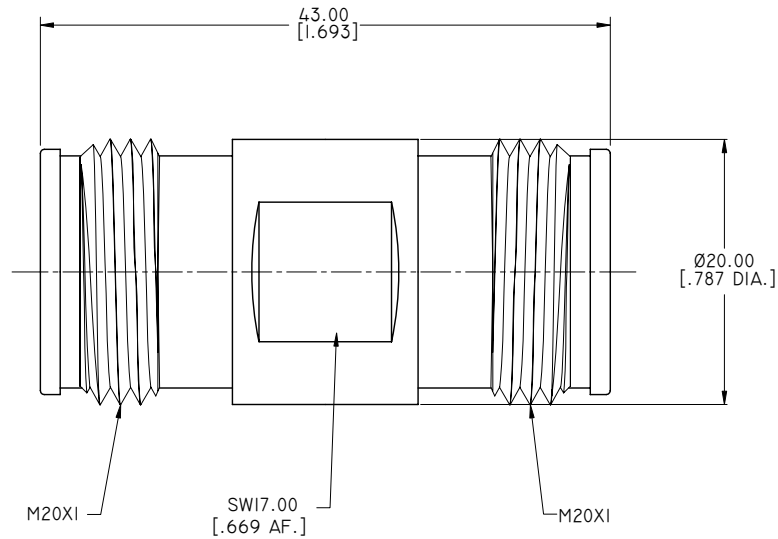
ELECTRICAL DATA:

1. IMPEDANCE: 50 Ω
2. FREQUENCY RANGE: DC~6 GHZ
3. VSWR: 1.10 MAX.
4. INTERMODULATION(3RD ORDER): <-160 DBC(2X43 DBM) AT 0.4~4 GHZ

APPLICABLE STANDARDS:

1. INTERFACE ACCORDING TO: IEC61169-54

REVISIONS			
REV.	DESCRIPTION	DATE	APPROVED
A	INITIAL RELEASE	10/14/16	J. QU



DRAWN	X. B. YANG	DATE	10/14/16
CHECKED	L. YANG	DATE	10/14/16
APPROVED	J. QU	DATE	10/14/16
UNLESS OTHERWISE SPECIFIED DIMENSIONS ARE IN MILLIMETERS. DIMENSIONS IN [] ARE IN INCHES FOR CUSTOMER REFERENCE ONLY UNLESS OTHERWISE SPECIFIED TOLERANCE ARE:		THESE DRAWINGS AND SPECIFICATIONS ARE THE PROPERTY OF ANOISON ELECTRONICS LTD AND SHOULD NOT BE USED WITHOUT WRITTEN PERMISSION COPYRIGHT © 2016 ANOISON ELECTRONICS LTD	
.XX	±0.13 [.005"]		
.X	±0.20 [.008"]		
X	±0.50 [.019"]		
.X°	±1°		
X°	±2°		



TITLE			
ADAPTER, 4.3-10 FEMALE TO 4.3-10 FEMALE			
VIEW		PART NO.	
		ANO 472-472-1383	
SIZE	SCALE	SHEET	REV.
A3	2.5:1	1/1	A