

MATERIAL & FINISH:

- 1 BODY : BRASS, ALBALOY PLATED
- 2 CENTER CONTACT: BERYLLIUM COPPER ALLOY, SILVER PLATED
- 3 OUTERCONTACT: PHOSPHOR BRONZE, SILVER PLATED
- 4 INSULATOR: PTFE & PEI

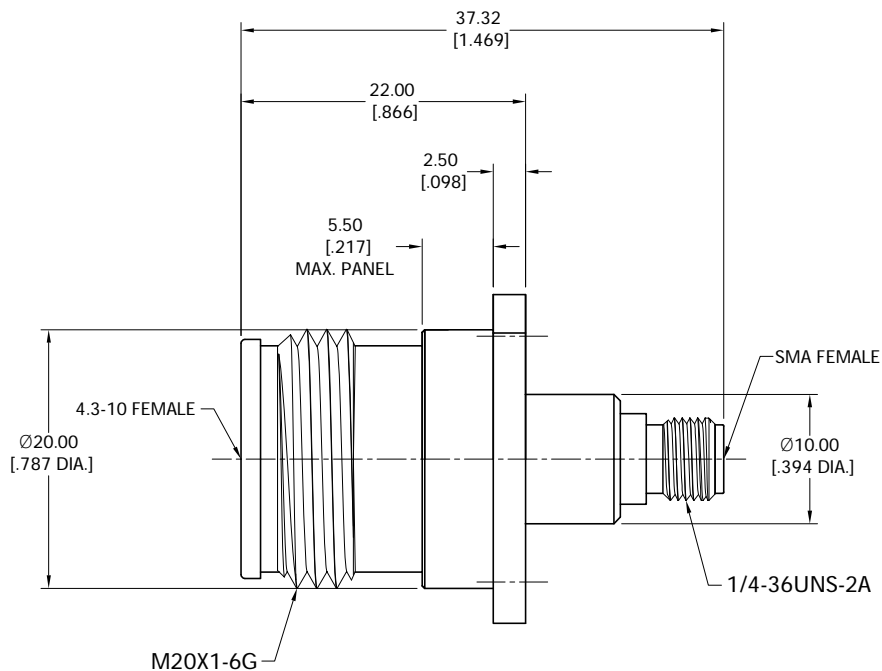
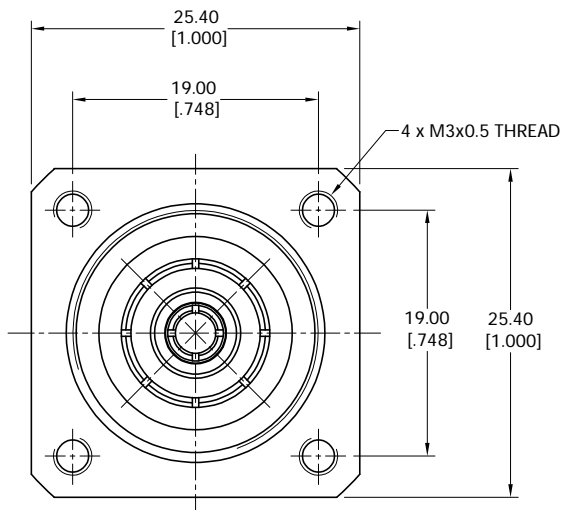
ENVIRONMENTAL DATA:

- 1 TEMPERATURE RANGE: -55°C~+125°C
- 2 2011/65/EU(RoHS) AND 2015/863/(RoHS): COMPLIANT
- 3 1907/2006/EC(REACH): COMPLIANT

ELECTRICAL DATA:

- 1 IMPEDANCE: 50 Ω
- 2 FREQUENCY RANGE: DC-12 GHz
- 3 VSWR: 1.20 MAX. AT DC-6 GHz
1.30 MAX. AT 6-12 GHz
- 4 INSERTION LOSS: 0.06 x √F(GHZ)

REVISIONS			
REV.	DESCRIPTION	DATE	APPROVED
A	INITIAL RELEASE	04/12/23	J. Q
B	FREQUENCY RANGE: DC-12 GHz	06/11/25	J. Q



DRAWN	X. Y	DATE	06/11/25
CHECKED	W. Y	DATE	06/11/25
APPROVED	J. Q	DATE	06/11/25
UNLESS OTHERWISE SPECIFIED DIMENSIONS ARE IN MILLIMETERS. DIMENSIONS IN [] ARE IN INCHES FOR CUSTOMER REFERENCE ONLY UNLESS OTHERWISE SPECIFIED TOLERANCE ARE:		THESE DRAWINGS AND SPECIFICATIONS ARE THE PROPERTY OF ANOISON ELECTRONICS LTD AND SHOULD NOT BE USED WITHOUT WRITTEN PERMISSION COPYRIGHT © 2025 ANOISON ELECTRONICS LTD	
.XX	±0.13 [0.005"]		
.X	±0.20 [0.008"]		
X	±0.50 [0.019"]		
.X°	±1°		
X°	±2°		



TITLE			
ADAPTER, 4.3-10 STRAIGHT FEMALE TO SMA FEMALE, 4 HOLE FLANGE			
VIEW		PART NO.	
		ANO 472-212-1630	
SIZE	SCALE	SHEET	REV.
A3	4:1	1/1	B