

4

3

2

1

**MATERIAL & FINISH:**

- 1 BODY: BRASS, ALBALOY PLATED
- 2 CENTER CONTACT: BERYLLIUM COPPER ALLOY, SILVER PLATED
- 3 OUTER CONTACT: PHOSPHOR BRONZE, SILVER PLATED
- 4 INSULATOR: PTFE & PEI

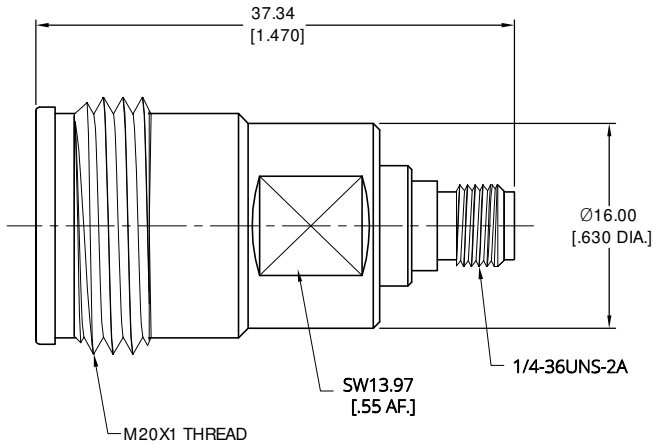
**ELECTRICAL DATA:**

- 1 IMPEDANCE: 50 Ω
- 2 FREQUENCY RANGE: DC~6 GHz
- 3 VSWR: 1.20 MAX
- 4 PIM3: < -160 DBC(2X43 DBM) AT 0.4~4 GHZ

**ENVIRONMENTAL DATA:**

- 1 TEMPERATURE RANGE: -55 °C~+125 °C
- 2 2011/65/EU(RoHS) AND 2015/863/(RoHS): COMPLIANT
- 3 1907/2006/EC(REACH): COMPLIANT

REVISIONS			
REV.	DESCRIPTION	DATE	APPROVED
A	INITIAL RELEASE	08/11/20	J QU
B	PIM3 DATA ADDED	09/10/20	J QU



DRAWN	X. B. YANG	DATE	09/10/20
CHECKED	W. YANG	DATE	09/10/20
APPROVED	J QU	DATE	09/10/20
UNLESS OTHERWISE SPECIFIED DIMENSIONS ARE IN MILLIMETERS. DIMENSIONS IN [ ] ARE IN INCHES FOR CUSTOMER REFERENCE ONLY UNLESS OTHERWISE SPECIFIED TOLERANCE ARE:		THESE DRAWINGS AND SPECIFICATIONS ARE THE PROPERTY OF ANOISON ELECTRONICS LTD AND SHOULD NOT BE USED WITHOUT WRITTEN PERMISSION COPYRIGHT © 2020 ANOISON ELECTRONICS LTD	
.XX	±0.13 [0.005"]		
.X	±0.20 [0.008"]		
X	±0.50 [0.019"]		
.X°	±1°		
X°	±2°		



TITLE			
ADAPTER, 4,3-10 FEMALE TO SMA FEMALE			
VIEW		PART NO.	
		ANO 472-212-1540	
SIZE	SCALE	SHEET	REV.
A3	2.5:1	1/1	B

4

3

2

1