

MATERIAL & FINISH:

- 1 BODY: BRASS, ALBALOY PLATED
- 2 CENTER CONTACT: PHOSPHOR BRONZE, SILVER PLATED
- 3 OUTER CONTACT: PHOSPHOR BRONZE, SILVER PLATED
- 4 COUPLING NUT: BRASS, ALBALOY PLATED
- 5 RETAINING RING: BERYLLIUM, COPPER ALLOY, UNPLATED
- 6 INSULATOR: PTFE & PEI
- 7 GASKET: SILICONE RUBBER

ENVIRONMENTAL DATA:

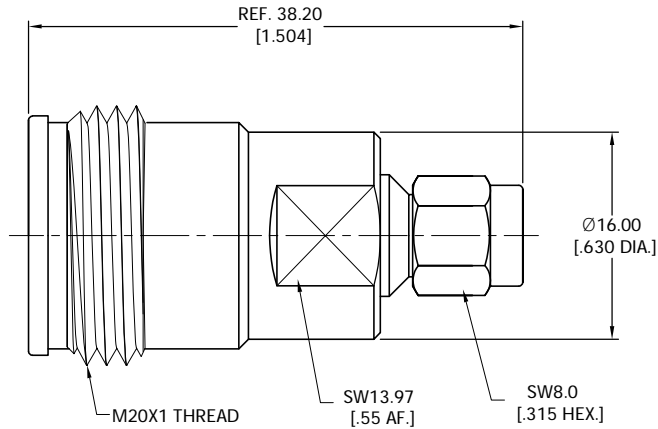
- 1 TEMPERATURE RANGE: -55°C ~ +125°C
- 2 2011/65/EU(RoHS) AND 2015/863/(RoHS): COMPLIANT
- 3 1907/2006/EC(REACH): COMPLIANT


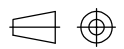
ELECTRICAL DATA:

- 1 IMPEDANCE: 50 Ω
- 2 FREQUENCY RANGE: DC~12 GHz
- 3 VSWR: 1.10 MAX. AT DC~6 GHz
- 4 PIM3: < -160 DBC(2X43 dBm) AT 0.4~4 GHz

REVISIONS

REV.	DESCRIPTION	DATE	APPROVED
A	INITIAL RELEASE	12/01/20	J. Q
B	FREQUENCY RANGE: DC-12 GHz	06/11/25	J. Q
C	1. VSWR CHANGED TO 1.10 MAX. AT DC-6 GHz 2. 38.20 [1.504] WAS 37.85 [1.490]	06/12/25	J. Q



DRAWN	X. Y	DATE	06/12/25				
CHECKED	W. Y	DATE	06/12/25				
APPROVED	J. Q	DATE	06/12/25				
UNLESS OTHERWISE SPECIFIED DIMENSIONS ARE IN MILLIMETERS. DIMENSIONS IN [ ] ARE IN INCHES FOR CUSTOMER REFERENCE ONLY UNLESS OTHERWISE SPECIFIED TOLERANCE ARE: .XX ±0.13 [.005"] .X ±0.20 [.008"] X ±0.50 [.019"] .X° ±1° X° ±2°				THESE DRAWINGS AND SPECIFICATIONS ARE THE PROPERTY OF ANOISON ELECTRONICS LTD AND SHOULD NOT BE USED WITHOUT WRITTEN PERMISSION COPYRIGHT © 2025 ANOISON ELECTRONICS LTD			
TITLE				ADAPTER, 4.3-10 FEMALE TO SMA MALE			
VIEW				PART NO. ANO 472-211-1550			
				SIZE A3	SCALE 2.5:1	SHEET 1/1	REV. C