

MATERIAL & FINISH:

- 1 BODY: BRASS, ALBALOY PLATED
- 2 CENTER CONTACT: BERYLLIUM COPPER ALLOY, SILVER PLATED
- 3 OUTER CONTACT: BRASS, ALBALOY PLATED
- 4 INSULATOR: PTFE
- 5 O-RING: SILICONE RUBBER

ENVIRONMENTAL DATA:

- 1 TEMPERATURE RANGE: -45°C~+125°C
- 2 2011/65/EU (RoHS): COMPLIANT

ELECTRICAL DATA:

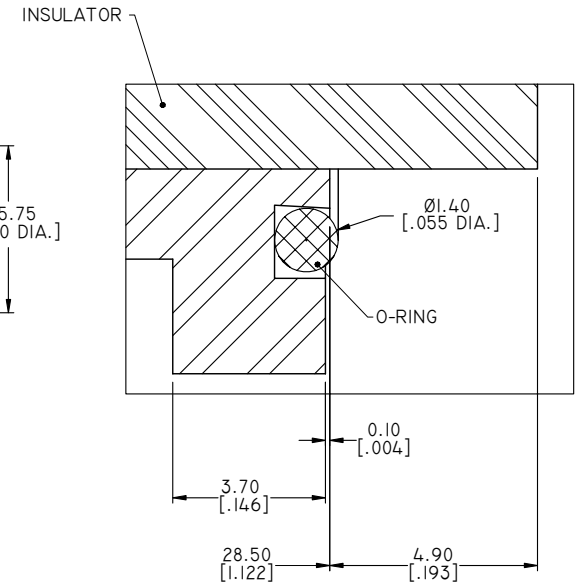
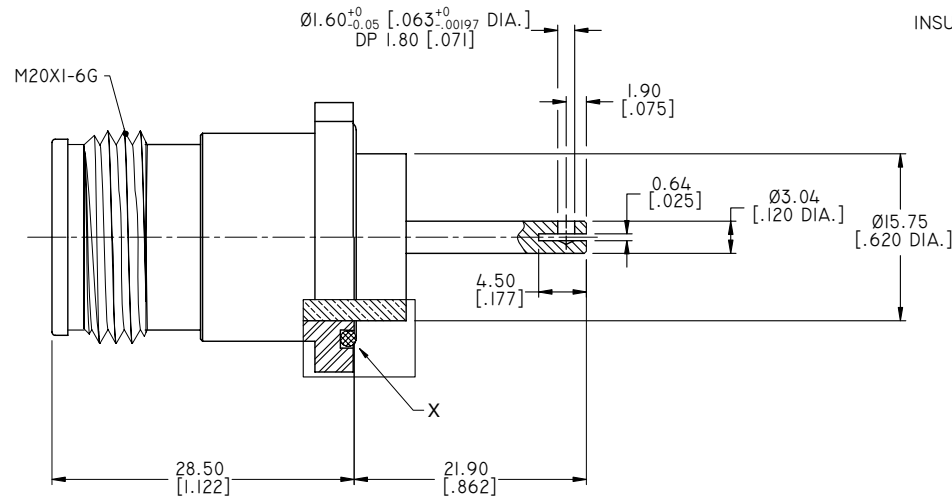
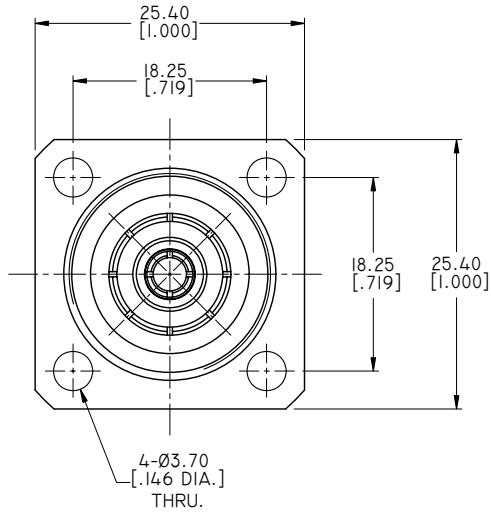
- 1 IMPEDANCE: 50 Ω
- 2 FREQUENCY RANGE: DC~6 GHZ
- 3 VSWR: 1.20 MAX.
- 4 INTERMODULATION(3RD ORDER): <-160 DBC(2X4.3 DBM) AT 0.4~4 GHZ
- 5 RF POWER: 200W MAX.

APPLICABLE STANDARDS:

- 1 INTERFACE ACCORDING TO: IEC61169-54

REVISIONS			
REV.	DESCRIPTION	DATE	APPROVED
A	INITIAL RELEASE	03/04/16	J. QU
B	O-RING DIMENSION Ø1.50 [.059 DIA.] CHANGED TO Ø1.40 [.055 DIA.]	06/20/18	J. QU

DETAIL "X"
SCALE 16:1



DRAWN	X. B. YANG	DATE	06/20/18
CHECKED	W. YANG	DATE	06/20/18
APPROVED	J. QU	DATE	06/20/18
UNLESS OTHERWISE SPECIFIED DIMENSIONS ARE IN MILLIMETERS, DIMENSIONS IN [] ARE IN INCHES FOR CUSTOMER REFERENCE ONLY UNLESS OTHERWISE SPECIFIED TOLERANCE ARE:		THESE DRAWINGS AND SPECIFICATIONS ARE THE PROPERTY OF ANOISON ELECTRONICS LTD AND SHOULD NOT BE USED WITHOUT WRITTEN PERMISSION COPYRIGHT © 2018 ANOISON ELECTRONICS LTD	
.XX	±0.13 [.005"]		
.X	±0.20 [.008"]		
X	±0.50 [.019"]		
.X°	±1°		
X°	±2°		



TITLE			
4.3-10 STRAIGHT FEMALE, 4 HOLE FLANGE RECEPTACLE STRIP-LINE			
VIEW		PART NO.	
		ANO 4712-3018	
SIZE	SCALE	SHEET	REV.
A3	2:1	1/1	B