

4

3

2

1

**MATERIAL & FINISH:**

- 1 BODY: BRASS, ALBALOY PLATED
- 2 CENTER CONTACT: BERYLLIUM COPPER ALLOY, SILVER PLATED
- 3 OUTER CONTACT: BRASS, ALBALOY PLATED
- 4 INSULATOR: PTFE
- 5 O-RING: SILICONE RUBBER

**ENVIRONMENTAL DATA:**

- 1 TEMPERATURE RANGE: -45°C~+125°C
- 2 2011/65/EU (RoHS): COMPLIANT

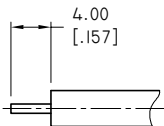
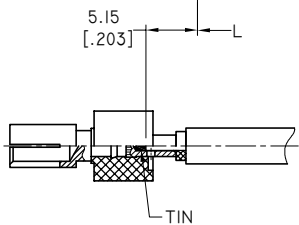
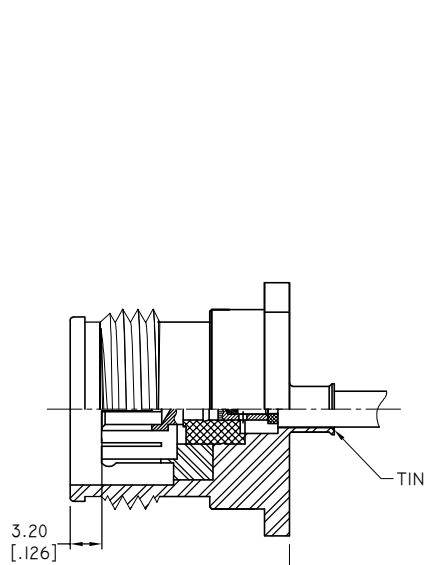
**ELECTRICAL DATA:**

- 1 IMPEDANCE: 50 Ω
- 2 FREQUENCY RANGE: DC~6 GHZ
- 3 VSWR: 1.20 MAX.
- 4 INTERMODULATION(3<sup>RD</sup> ORDER): <-160 DBC(2X43 DBM) AT 0.4~4 GHZ
- 5 RF POWER: 200W MAX.

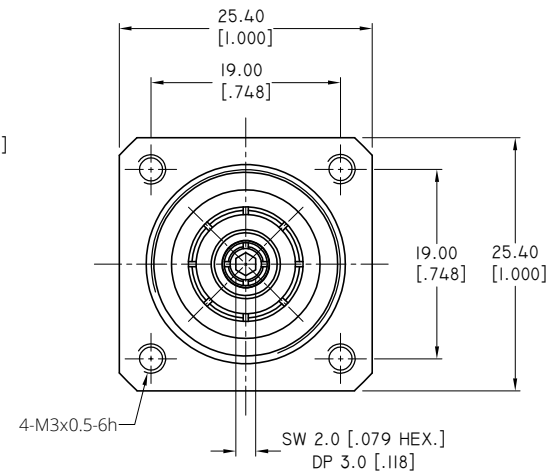
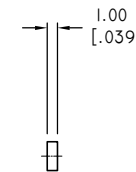
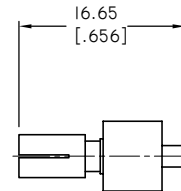
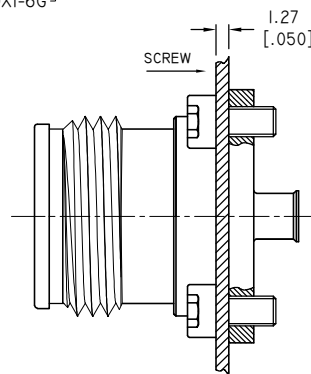
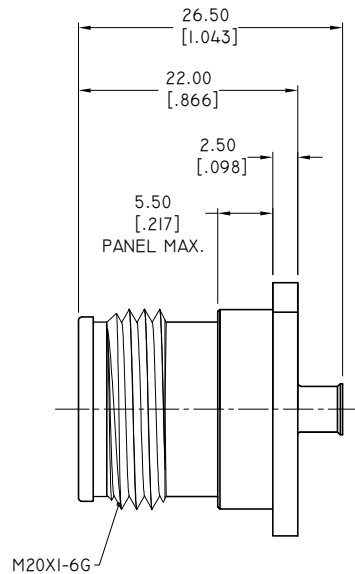
**APPLICABLE STANDARDS:**

- 1 INTERFACE ACCORDING TO: IEC61169-54

REVISIONS			
REV.	DESCRIPTION	DATE	APPROVED
A	INITIAL RELEASE	03/03/23	J. Q



CABLE LENGTH=5.15+L(MM)



DRAWN	W. Y	DATE	03/03/23
CHECKED	X. Y	DATE	03/03/23
APPROVED	J. Q	DATE	03/03/23
UNLESS OTHERWISE SPECIFIED DIMENSIONS ARE IN MILLIMETERS, DIMENSIONS IN [ ] ARE IN INCHES FOR CUSTOMER REFERENCE ONLY UNLESS OTHERWISE SPECIFIED TOLERANCE ARE:		THESE DRAWINGS AND SPECIFICATIONS ARE THE PROPERTY OF ANOISON ELECTRONICS LTD AND SHOULD NOT BE USED WITHOUT WRITTEN PERMISSION COPYRIGHT © 2023 ANOISON ELECTRONICS LTD	
.XX	±0.13 [.005"]		
.X	±0.20 [.008"]		
X	±0.50 [.019"]		
.X°	±1°		
X°	±2°		

**TITLE**  
4.3-10 STRAIGHT FEMALE, 4 HOLE FLANGE SOLDER FOR .141 CABLE

**VIEW**

**PART NO.** ANO 4712-2051

SIZE	SCALE	SHEET	REV.
A3	2:1	1/1	A

4

3

2

1