

4

3

2

1

MATERIAL & FINISH:

- 1 BODY: BRASS, ALBALOY PLATED
- 2 CENTER CONTACT: PHOSPHOR BRONZE, SILVER PLATED
- 3 INSULATOR: PTFE

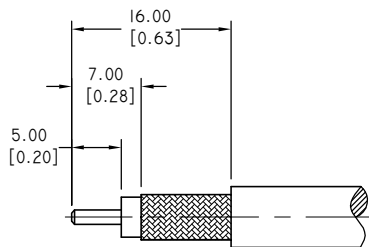
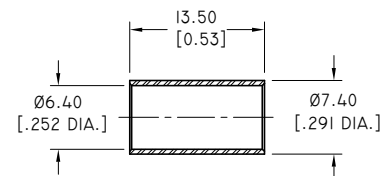
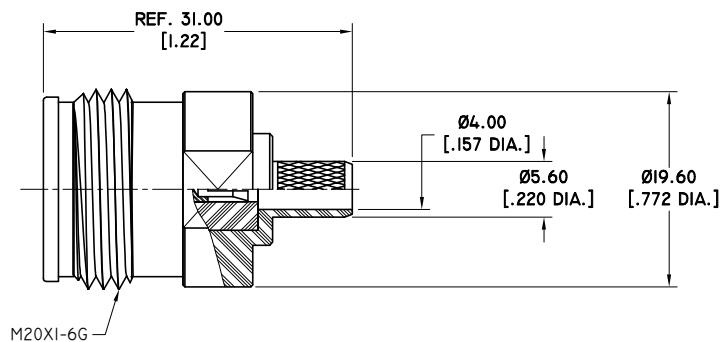
ELECTRICAL DATA:

- 1 IMPEDANCE: 50 Ω
- 2 FREQUENCY RANGE: DC-6 GHZ
- 3 VSWR: ≤ 1.30

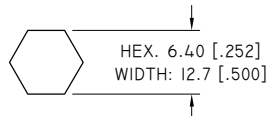
ENVIRONMENTAL DATA:

- 1 TEMPERATURE RANGE: -55 °C ~ +125 °C
- 2 2011/65/EU (RoHS): COMPLIANT

| REVISIONS | | | |
|-----------|-----------------|----------|----------|
| REV. | DESCRIPTION | DATE | APPROVED |
| A | INITIAL RELEASE | 06/01/22 | J. QU |
| | | | |



CABLE STRIPPING DIMENSIONS



CRIMP DIE

| | | | |
|---|---------------|--|----------|
| DRAWN | P. CHEN | DATE | 06/01/22 |
| CHECKED | L. YANG | DATE | 06/01/22 |
| APPROVED | J. QU | DATE | 06/01/22 |
| UNLESS OTHERWISE SPECIFIED DIMENSIONS ARE IN MILLIMETERS, DIMENSIONS IN [] ARE IN INCHES FOR CUSTOMER REFERENCE ONLY UNLESS OTHERWISE SPECIFIED TOLERANCE ARE: | | THESE DRAWINGS AND SPECIFICATIONS ARE THE PROPERTY OF ANOISON ELECTRONICS LTD AND SHOULD NOT BE USED WITHOUT WRITTEN PERMISSION COPYRIGHT © 2022 ANOISON ELECTRONICS LTD | |
| .XX | ±0.13 [.005"] | | |
| .X | ±0.20 [.008"] | | |
| X | ±0.50 [.019"] | | |
| X° | ±1° | | |
| X° | ±2° | | |



TITLE
4.3-10 STRAIGHT FEMALE CRIMP FOR LMR240 CABLE, CAPTIVATED CONTACT

| | | | | | |
|------|---------------------------|------------|--------------|--------------|-----------|
| VIEW | PART NO. ANO 4712-2050 | SIZE A3 | SCALE 2:1 | SHEET 1/1 | REV. A |
|------|---------------------------|------------|--------------|--------------|-----------|

4

3

2

1