

**MATERIAL & FINISH:**

- 1 BODY: BRASS, ALBALOY PLATED
- 2 CENTER CONTACT: BRASS, GOLD PLATED
- 3 COUPLING NUT: BRASS, ALBALOY PLATE
- 4 INSULATOR: PTFE
- 5 O-RING: SILICONE RUBBER

**ELECTRICAL DATA:**

- 1 IMPEDANCE: 50 Ω
- 2 FREQUENCY RANGE: DC-6 GHz
- 3 VSWR: 1.25 MAX.
- 4 PIM: ≤-160 dBc(+43dBm WITH 2x20 WATT TONES)

**MECHANICAL DATA:**

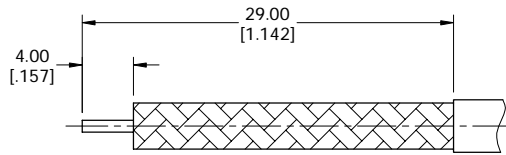
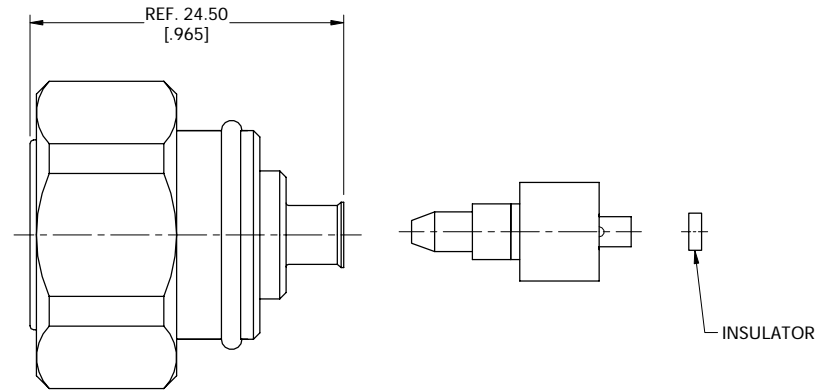
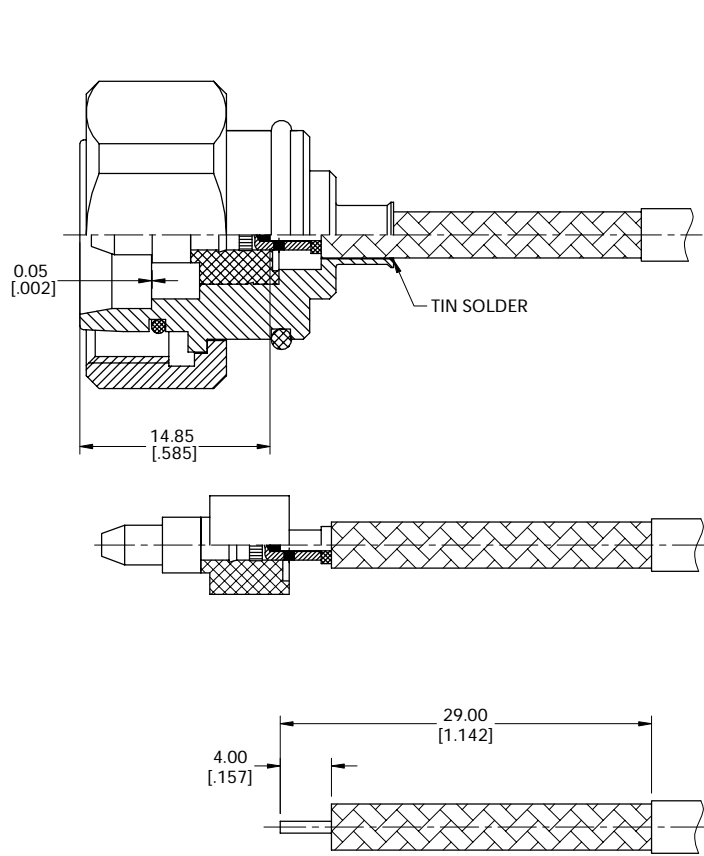
- 1 MECHANICAL DURABILITY: 100 CYCLES MIN.
- 2 RECOMMENDED TORQUE: 5 NM
- 3 CENTER RETENTION FORCE:  
AXIAL DIRECTION 27 [6 LBS] N MIN.
- 4 CORROSION: MIL-STD-202, METHOD 101, COND.B
- 5 INTERFACE PER: IEC61169-54

**ENVIRONMENTAL DATA:**

- 1 TEMPERATURE RANGE: -55°C ~+125°C
- 2 2011/65/EU(RoHS) AND 2015/863/(RoHS): COMPLIANT
- 3 1907/2006/EC(REACH): COMPLIANT

**REVISIONS**

REV.	DESCRIPTION	DATE	APPROVED
A	INITIAL RELEASE	09/18/24	J. Q



CABLE LENGTH=L-14.85 [.585]

DRAWN	X. Y	DATE	09/18/24
CHECKED	W. Y	DATE	09/18/24
APPROVED	J. Q	DATE	09/18/24

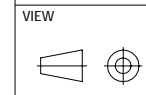
UNLESS OTHERWISE SPECIFIED DIMENSIONS ARE IN MILLIMETERS, DIMENSIONS IN [ ] ARE IN INCHES FOR CUSTOMER REFERENCE ONLY UNLESS OTHERWISE SPECIFIED TOLERANCE ARE:

XX	±0.13 [.005"]
X	±0.20 [.008"]
X	±0.50 [.019"]
X°	±1°
X"	±2°

THESE DRAWINGS AND SPECIFICATIONS ARE THE PROPERTY OF ANOISON ELECTRONICS LTD AND SHOULD NOT BE USED WITHOUT WRITTEN PERMISSION COPYRIGHT © 2024 ANOISON ELECTRONICS LTD



**TITLE**  
4.3-10 MALE LOW PIM CONNECTOR  
SOLDER ATTACHMENT FOR RG141/RG402 CABLE



PART NO. ANO 4711-2056			
SIZE A3	SCALE 2.5:1	SHEET 1/1	REV. A