

4

3

2

1

MATERIAL & FINISH:

- 1 BODY: BRASS, ALBALOY PLATED
- 2 CENTER CONTACT: BRASS, SILVER PLATED
- 3 INSULATOR: PTFE
- 4 COUPLING NUT: BRASS, ALBALOY PLATED
- 5 GASKET: SILICONE RUBBER

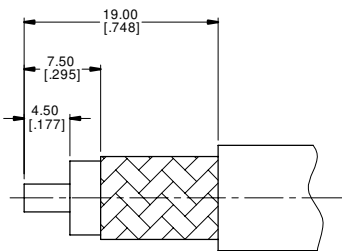
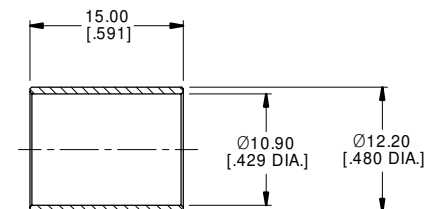
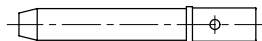
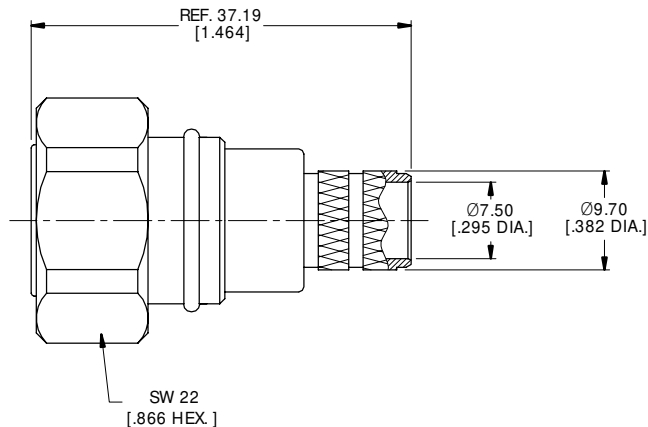
ELECTRICAL DATA:

- 1 IMPEDANCE: 50 Ω
- 2 FREQUENCY RANGE: DC~6 GHz
- 3 VSWR: 1.30 MAX.

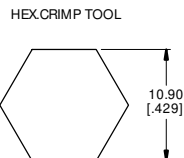
ENVIRONMENTAL DATA:

- 1 TEMPERATURE RANGE: -55°C~+125°C
- 2 2011/65/EU(RoHS) AND 2015/863/(RoHS): COMPLIANT
- 3 1907/2006/EC(REACH): COMPLIANT

REVISIONS			
REV.	DESCRIPTION	DATE	APPROVED
A	INITIAL RELEASE	02/24/23	J Q



CABLE STRIPPING DIMENSIONS



CRIMP WIDTH: 12.0 [.472]

DRAWN	X. Y	DATE	02/24/23
CHECKED	W. Y	DATE	02/24/23
APPROVED	J Q	DATE	02/24/23

UNLESS OTHERWISE SPECIFIED DIMENSIONS ARE IN MILLIMETERS, DIMENSIONS IN [] ARE IN INCHES FOR CUSTOMER REFERENCE ONLY UNLESS OTHERWISE SPECIFIED TOLERANCE ARE:

.XX	±0.13 [.005"]
.X	±0.20 [.008"]
X	±0.50 [.019"]
.X°	±1°
.X"	±2°

THESE DRAWINGS AND SPECIFICATIONS ARE THE PROPERTY OF ANOISON ELECTRONICS LTD AND SHOULD NOT BE USED WITHOUT WRITTEN PERMISSION COPYRIGHT © 2023 ANOISON ELECTRONICS LTD



TITLE	SCREW 4.3-10 STRAIGHT MALE CRIMP FOR RG8A, RG213/U, LMR400 CABLE		
-------	--	--	--

VIEW	PART NO. ANO 4711-2046		
SIZE A3	SCALE 2:1	SHEET 1/1	REV. A

4

3

2

1

D

C

B

A

D

C

B

A