

4

3

2

1

REVISIONS			
REV.	DESCRIPTION	DATE	APPROVED
A	INITIAL RELEASE	10/06/16	J. QU

**1.0 MATERIAL & FINISH:**

- 1.1 BODY: BRASS, ALBALOY PLATED
- 1.2 CENTER CONTACT: PHOSPHOR BRONZE, SILVER PLATED
- 1.3 COUPLING NUT: BRASS, ALBALOY PLATED
- 1.4 INSULATOR: PTFE

**2.0 ELECTRICAL DATA:**

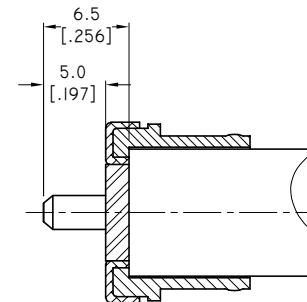
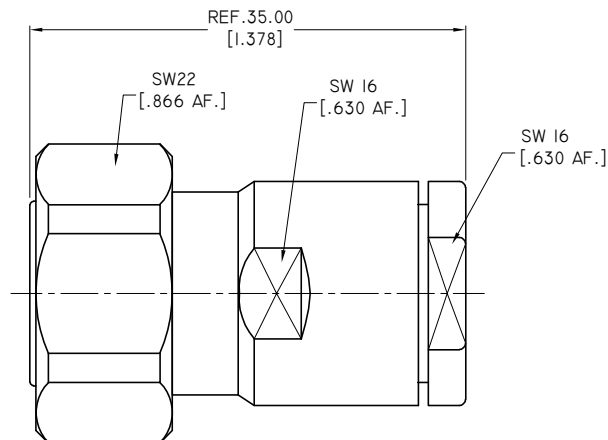
- 2.1. IMPEDANCE: 50 Ω
- 2.2. FREQUENCY RANGE: DC~6 GHz
- 2.3. VSWR: 1.20 MAX.
- 2.4. CONTACT RESISTANCE: CENTER CONTACT: 1.0 MΩ  
OUTER CONTACT: 0.2 MΩ
- 2.5. INSULATION RESISTANCE: 5000 MΩ

**3.0 ENVIRONMENTAL DATA:**

- 3.1. TEMPERATURE RANGE: -55°C~+125°C
- 3.2. 2011/65/EU ( RoHS): COMPLIANT

**4.0 MECHANICAL DATA:**

- 4.1. MECHANICAL DURABILITY: 500 CYCLES MIN.
- 4.2. CENTER CONTACT: CAPTIVATED
- 4.3. OUTER CONTACT: CLAMP
- 4.4. PROTECTION CLASS: IP67



CABLE STRIPPING DIMENSIONS

DRAWN	W. YANG	DATE	10/06/16
CHECKED	L. YANG	DATE	10/06/16
APPROVED	J. QU	DATE	10/06/16
UNLESS OTHERWISE SPECIFIED DIMENSIONS ARE IN MILLIMETERS, DIMENSIONS IN [ ] ARE IN INCHES FOR CUSTOMER REFERENCE ONLY UNLESS OTHERWISE SPECIFIED TOLERANCE ARE:		THESE DRAWINGS AND SPECIFICATIONS ARE THE PROPERTY OF ANOISON ELECTRONICS LTD AND SHOULD NOT BE USED WITHOUT WRITTEN PERMISSION COPYRIGHT © 2016 ANOISON ELECTRONICS LTD	
.XX	±0.13 [.005"]		
.X	±0.20 [.008"]		
X	±0.50 [.019"]		
X°	±1°		
X"	±2°		



TITLE  
4.3-10 STRAIGHT MALE CLAMP FOR LMR400 CABLE CAPTIVATED CONTACT

VIEW	PART NO. ANO 4711-2024		
	SIZE A3	SCALE 4:1	SHEET 1/1
	REV. A		

4

3

2

1