

MATERIAL & FINISH:

- 1 BODY: BRASS, ALBALOY PLATED
- 2 COUPLING NUT: BRASS, ALBALOY PLATED
- 3 CENTER CONTACT: PHOSPHOR BRONZE, SILVER PLATED
- 4 INSULATOR: PTFE
- 5 O-RING: SILICONE RUBBER

MECHANICAL DATA:

- 1 MECHANICAL DURABILITY: 100 CYCLES MIN.
- 2 RECOMMENDED TORQUE: 5 NM
- 3 CENTER RETENTION FORCE:
AXIAL DIRECTION 27 [6 LBS] N MIN.
- 4 CORROSION: MIL-STD-202, METHOD 101, COND.B
- 5 INTERFACE PER: IEC61169-54

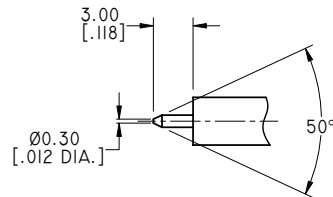
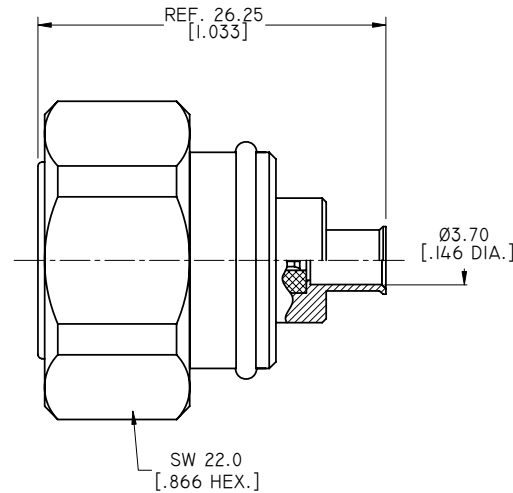
ELECTRICAL DATA:

- 1 IMPEDANCE: 50 Ω
- 2 FREQUENCY RANGE: DC~6 GHZ
- 3 VSWR: 1.20 MAX.
- 4 RF LEAKAGE: -90 DB MIN. AT 2 TO 3 GHZ
- 5 CONTACT RESISTANCE: CENTER CONTACT: 1.0 MΩ
OUTER CONTACT: 0.2 MΩ
- 6 INSULATION RESISTANCE: 5000 MΩ
- 7 INTERMODULATION(3RD ORDER): < -160 DBC(2X43 DBM) AT 0.9~4 GHZ

ENVIRONMENTAL DATA:

- 1 TEMPERATURE RANGE: -55°C~+90°C
- 2 2011/65/EU (RoHS): COMPLIANT

| REVISIONS | | | |
|-----------|--|----------|----------|
| REV. | DESCRIPTION | DATE | APPROVED |
| A | INITIAL RELEASE | 04/13/15 | J. QU |
| B | MECHANICAL DURABILITY: 500 CYCLES CHANGED TO 100 CYCLES | 06/16/17 | J. QU |



CABLE STRIPPING DIMENSIONS

| | | | |
|---|---------------|--|----------|
| DRAWN | X. B. YANG | DATE | 06/16/17 |
| CHECKED | L. YANG | DATE | 06/16/17 |
| APPROVED | J. QU | DATE | 06/16/17 |
| UNLESS OTHERWISE SPECIFIED DIMENSIONS ARE IN MILLIMETERS. DIMENSIONS IN [] ARE IN INCHES FOR CUSTOMER REFERENCE ONLY UNLESS OTHERWISE SPECIFIED TOLERANCE ARE: | | THESE DRAWINGS AND SPECIFICATIONS ARE THE PROPERTY OF ANOISON ELECTRONICS LTD AND SHOULD NOT BE USED WITHOUT WRITTEN PERMISSION COPYRIGHT © 2017 ANOISON ELECTRONICS LTD | |
| .XX | ±0.13 [.005"] | | |
| .X | ±0.20 [.008"] | | |
| X | ±0.50 [.019"] | | |
| .X° | ±1° | | |
| X° | ±2° | | |



TITLE
4.3-10 STRAIGHT MALE SOLDER FOR .141 CABLE SCREW TYPE, CAPTIVATED CONTACT

| | | | | |
|------|---------------------------|----------------|--------------|-----------|
| VIEW | PART NO. ANO 4711-2012 | | | |
| | SIZE A3 | SCALE 2.5:1 | SHEET 1/1 | REV. B |