

MATERIAL & FINISH:

- 1 BODY: BRASS, ALBALOY PLATED
- 2 CENTER CONTACT: PHOSPHOR BRONZE, SILVER PLATED
- 3 COUPLING NUT: BRASS, ALBALOY PLATED
- 4 INSULATOR: PTFE
- 5 GASKET: SILICONE RUBBER

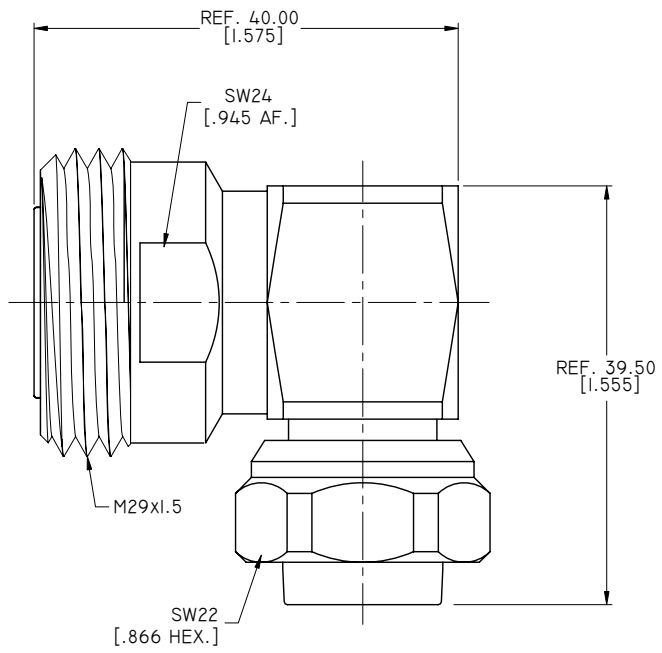
ENVIRONMENTAL DATA:

- 1 TEMPERATURE RANGE: -55°C~+125°C
- 2 2011/65/EU(RoHS) AND 2015/863/(RoHS): COMPLIANT
- 3 1999/45/EC(REACH): COMPLIANT

ELECTRICAL DATA:

- 1 IMPEDANCE: 50 Ω
- 2 FREQUENCY RANGE: DC~6 GHz
- 3 VSWR: 1.15 MAX. AT DC~3 GHz  
1.25 MAX. AT 3~6 GHz
- 4 PIM3: ≤-155 DBC(2X43 DBM) AT 0.4~3 GHz

REVISIONS			
REV.	DESCRIPTION	DATE	APPROVED
A	INITIAL RELEASE	11/05/19	J. QU
B	1. 40.00 [1.575] WAS 47.00 [1.850] 2. 39.50 [1.555] WAS 41.00 [1.614]	12/09/19	J. QU



DRAWN	X. B. YANG	DATE	12/09/19
CHECKED	W. YANG	DATE	12/09/19
APPROVED	J. QU	DATE	12/09/19
UNLESS OTHERWISE SPECIFIED DIMENSIONS ARE IN MILLIMETERS. DIMENSIONS IN [ ] ARE IN INCHES FOR CUSTOMER REFERENCE ONLY UNLESS OTHERWISE SPECIFIED TOLERANCE ARE:		THESE DRAWINGS AND SPECIFICATIONS ARE THE PROPERTY OF ANOISON ELECTRONICS LTD AND SHOULD NOT BE USED WITHOUT WRITTEN PERMISSION COPYRIGHT © 2019 ANOISON ELECTRONICS LTD	
.XX	±0.13 [ .005"]		
.X	±0.20 [ .008"]		
X	±0.50 [ .019"]		
.X°	±1°		
X°	±2°		



TITLE  
ADAPTER, RIGHT ANGLE 4.3-10 MALE TO 7/16 FEMALE

VIEW	PART NO. ANO 471-562-2515		
	SIZE A3	SCALE 2:1	SHEET 1/1
			REV. B