

**MATERIAL & FINISH:**

1. BODY: BRASS, ALBALOY PLATED
2. COUPLING NUT: BRASS, ALBALOY PLATED
3. CENTER CONTACT: BRASS, SILVER PLATED
4. INSULATOR: PEI
5. O-RING: MVQ(SILICONE RUBBER)

**ENVIRONMENTAL DATA:**

1. TEMPERATURE RANGE: -55°C~+90°C
2. 2011/65/EC (RoHS): COMPLIANT

**APPLICABLE STANDARDS:**

- 1 4.3-10 INTERFACE ACCORDING TO: IEC61169-54
- 2 7/16 INTERFACE ACCORDING TO: IEC61169-4

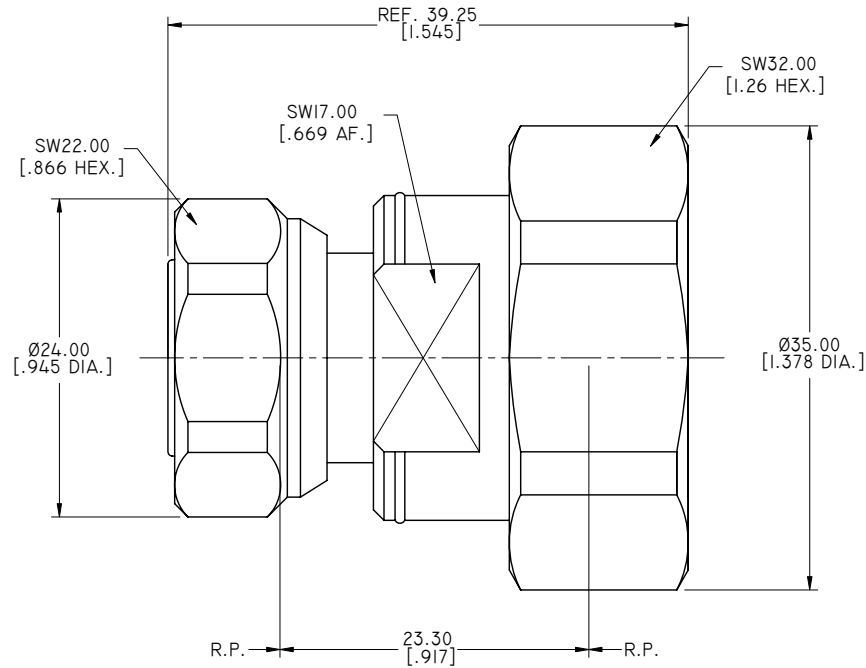
**ELECTRICAL DATA:**

- 1 IMPEDANCE: 50 OHMS
- 2 FREQUENCY RANGE: DC~7.5 GHZ
- 3 VSWR: 1.10 MAX. AT DC~6 GHZ
- 4 WITHSTANDING VOLTAGE: 2500 VRMS MIN.
- 5 INTERMODULATION(3<sup>RD</sup> ORDER): <-166 DBC(2X43 DBM) AT 0.4~4 GHZ

**APPLICABLE STANDARDS:**

- 1 4.3-10 INTERFACE ACCORDING TO: IEC61169-54
- 2 7/16 INTERFACE ACCORDING TO: IEC61169-4

REVISIONS			
REV.	DESCRIPTION	DATE	APPROVED
A	INITIAL RELEASE	12/07/16	J. QU



DRAWN	X. B. YANG	DATE	12/07/16
CHECKED	L. YANG	DATE	12/07/16
APPROVED	J. QU	DATE	12/07/16
UNLESS OTHERWISE SPECIFIED DIMENSIONS ARE IN MILLIMETERS. DIMENSIONS IN [ ] ARE IN INCHES FOR CUSTOMER REFERENCE ONLY UNLESS OTHERWISE SPECIFIED TOLERANCE ARE:		THESE DRAWINGS AND SPECIFICATIONS ARE THE PROPERTY OF ANOISON ELECTRONICS LTD AND SHOULD NOT BE USED WITHOUT WRITTEN PERMISSION COPYRIGHT © 2016 ANOISON ELECTRONICS LTD	
.XX	±0.13 [.005"]		
.X	±0.20 [.008"]		
X	±0.50 [.019"]		
.X°	±1°		
X°	±2°		



TITLE			
ADAPTER, 4.3-10 MALE(SCREW TYPE) TO 7/16 MALE			
VIEW		PART NO.	
		ANO 471-561-I387	
SIZE	SCALE	SHEET	REV.
A3	2.5:1	I/1	A