

MATERIAL & FINISH:

- 1. BODY: BRASS, ALBALOY PLATED
- 2. COUPLING NUT: BRASS, ALBALOY PLATED
- 3. CENTER CONTACT: PHOSPHOR BRONZE, SILVER PLATED
- 4. INSULATOR: PTFE
- 5. O-RING: MVQ(SILICONE RUBBER)

ELECTRICAL DATA:

- 1. IMPEDANCE: 50 Ω
- 2. FREQUENCY RANGE: DC~11 GHZ
- 3. VSWR: 1.20 MAX. AT DC~6GHZ
- 4. PROOF VOLTAGE AT SEA LEVEL: 2.5KV
- 5. INSULATION RESISTANCE: 5000 MΩ
- 6. INTERMODULATION(3<sup>RD</sup> ORDER): < -155 DBC(2X43 DBM) AT 0.4~4 GHZ

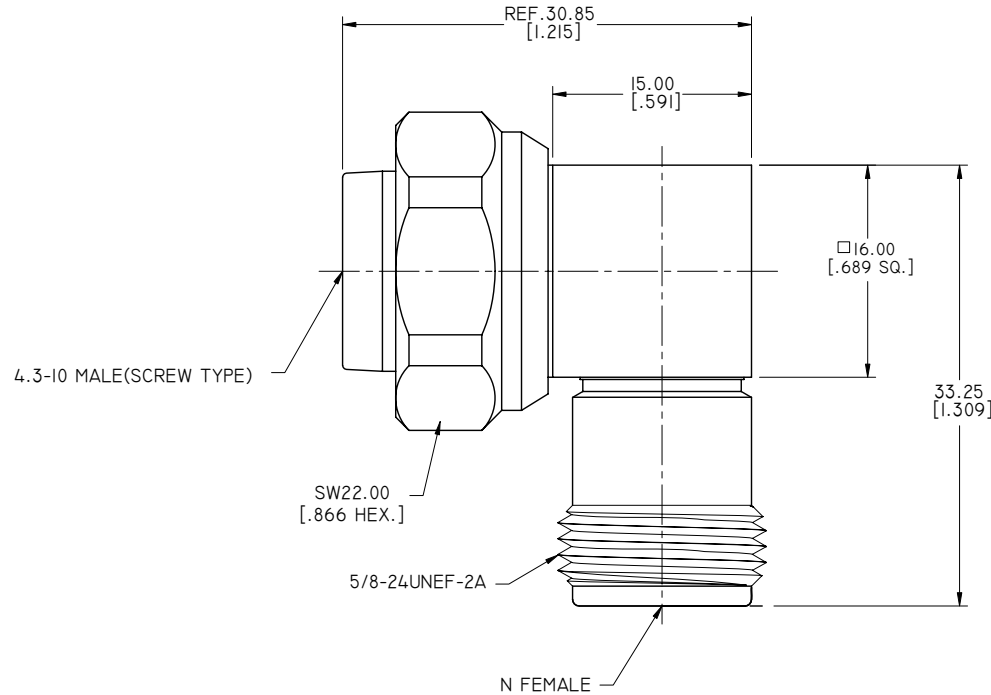
ENVIRONMENTAL DATA:

- 1. TEMPERATURE RANGE: -55°C~+90°C
- 2. 2011/65/EC (RoHS): COMPLIANT

APPLICABLE STANDARDS:

- 1. 4.3-10 INTERFACE ACCORDING TO: IEC61169-54
- 2. N INTERFACE ACCORDING TO: IEC61169-16

REVISIONS			
REV.	DESCRIPTION	DATE	APPROVED
A	INITIAL RELEASE	07/10/15	J. QU



DRAWN	X. B. YANG	DATE	07/10/15
CHECKED	L. YANG	DATE	07/10/15
APPROVED	J. QU	DATE	07/10/15
UNLESS OTHERWISE SPECIFIED DIMENSIONS ARE IN MILLINMETERS, DIMENSIONS IN [ ] ARE IN INCHES FOR CUSTOMER REFERENCE ONLY UNLESS OTHERWISE SPECIFIED TOLERANCE ARE:		THESE DRAWINGS AND SPECIFICATIONS ARE THE PROPERTY OF ANOISON ELECTRONICS LTD AND SHOULD NOT BE USED WITHOUT WRITTEN PERMISSION COPYRIGHT © 2015 ANOISON ELECTRONICS LTD	
.XX	±0.13 [0.005"]		
.X	±0.20 [0.008"]		
X	±0.50 [0.019"]		
.X°	±1°		
X°	±2°		



TITLE			
ADAPTER, 4.3-10 MALE(SCREW TYPE) TO N RIGHT ANGLE FEMALE			
VIEW		PART NO.	
		ANO 471-512-2315	
SIZE	SCALE	SHEET	REV.
A3	2.5:1	1/1	A