

4

3

2

1

REVISIONS

REV.	DESCRIPTION	DATE	APPROVED
D	COUPLING NUT FINISH CHANGED TO ALBALOY	03/22/15	J. QU
E	MECHANICAL DURABILITY: 100 CYCLES ADDED	06/16/17	J. QU
F	ADDED IP GRADE	07/02/22	J. QU

MATERIAL & FINISH:

- 1 BODY: BRASS, ALBALOY PLATED
- 2 COUPLING NUT: BRASS, ALBALOY PLATED
- 3 CENTER CONTACT: PHOSPHOR BRONZE, SILVER PLATED
- 4 INSULATOR: PTFE
- 5 O-RING: SILICONE RUBBER

ELECTRICAL DATA:

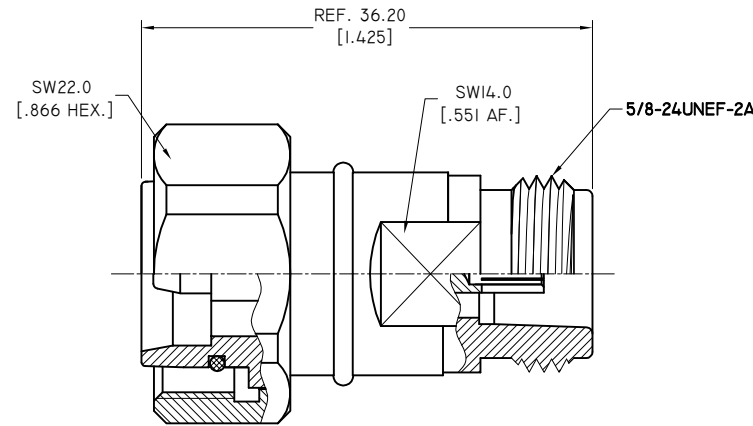
- 1 IMPEDANCE: 50 Ω
- 2 FREQUENCY RANGE: DC~12 GHZ
- 3 VSWR: 1.10 MAX. AT DC~6 GHZ
- 4 INSERTION LOSS: 0.05 X √F(GHZ)
- 5 PROOF VOLTAGE AT SEA LEVEL: 2.5 KV
- 6 INSULATION RESISTANCE: 5000 M Ω
- 7 INTERMODULATION(3RD ORDER): < -160 DBC(2X43 DBM) AT 0.9~4 GHZ

MECHANICAL DATA:

- 1 MECHANICAL DURABILITY: 100 CYCLES MIN.
- 2 4.3-10 INTERFACE ACCORDING TO: IEC61169-54
- 3 N INTERFACE ACCORDING TO: IEC61169-16

ENVIRONMENTAL DATA:

- 1 TEMPERATURE RANGE: -55 °C~+90 °C
- 2 2011/65/EU (RoHS): COMPLIANT
- 3 IP GRADE: IP67 (MATED)



DRAWN	X. B. YANG	DATE	07/05/22
CHECKED	L. YANG	DATE	07/05/22
APPROVED	J. QU	DATE	07/05/22

UNLESS OTHERWISE SPECIFIED DIMENSIONS ARE IN MILLINMETERS, DIMENSIONS IN [] ARE IN INCHES FOR CUSTOMER REFERENCE ONLY UNLESS OTHERWISE SPECIFIED TOLERANCE ARE:	THESE DRAWINGS AND SPECIFICATIONS ARE THE PROPERTY OF ANOISON ELECTRONICS LTD AND SHOULD NOT BE USED WITHOUT WRITTEN PERMISSION COPYRIGHT 2022 ANOISON ELECTRONICS LTD
.XX	.13 [.005"]
.X	.20 [.008"]
X	.50 [.019"]
.X	
X	



TITLE			
ADAPTER, 4.3-10 MALE(SCREW TYPE) TO N FEMALE			
VIEW	PART NO.		
	ANO 471-512-1296		
SIZE	SCALE	SHEET	REV.
A3	2.5:1	1/1	F

4

3

2

1