

4

3

2

1

**MATERIAL & FINISH:**

- 1 BODY: BRASS, ALBALOY PLATED
- 2 COUPLING NUT: BRASS, ALBALOY PLATED
- 3 CENTER CONTACT: PHOSPHOR BRONZE, GOLD PLATED
- 4 INSULATOR: PEI
- 5 O-RING: MVQ(SILICONE RUBBER)

**APPLICABLE STANDARDS:**

- 1 INTERFACE ACCORDING TO: IEC61169-54

**ENVIRONMENTAL DATA:**

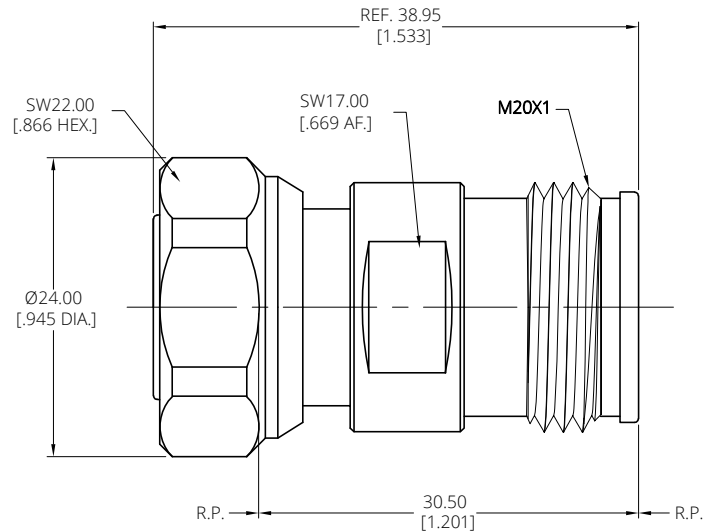
- 1 TEMPERATURE RANGE: -55°C~+125°C
- 2 2011/65/EU(RoHS) AND 2015/863/(RoHS): COMPLIANT
- 3 1907/2006/EC(REACH): COMPLIANT

**ELECTRICAL DATA:**

- 1 IMPEDANCE: 50 Ω
- 2 FREQUENCY RANGE: DC~4 GHz
- 3 VSWR: 1.05 MAX.
- 4 INSERTION LOSS: 0.40 dB MAX.
- 7 IM3, INTERMODULATION(3RD ORDER):
  - POWER LEVEL: -110 dBm(+/-3 dB) AT 890 MHz
  - 2 TONE CARRIERS: 2X43 dBm/20 W AT F1: 869 MHz AND F2: 894 MHz

REVISIONS

REV.	DESCRIPTION	DATE	APPROVED
A	INITIAL RELEASE	02/28/22	J. QU
B	CHANGED IM3 FREQUENCY RANGE	05/17/22	J. QU



DRAWN	XB. YANG	DATE	05/17/22
CHECKED	W. YANG	DATE	05/17/22
APPROVED	J. QU	DATE	05/17/22
UNLESS OTHERWISE SPECIFIED DIMENSIONS ARE IN MILLIMETERS, DIMENSIONS IN [ ] ARE IN INCHES FOR CUSTOMER REFERENCE ONLY UNLESS OTHERWISE SPECIFIED TOLERANCE ARE:		THESE DRAWINGS AND SPECIFICATIONS ARE THE PROPERTY OF ANOISON ELECTRONICS LTD AND SHOULD NOT BE USED WITHOUT WRITTEN PERMISSION COPYRIGHT © 2022 ANOISON ELECTRONICS LTD	
XX	±0.13 [0.005"]		
X	±0.20 [0.008"]		
X	±0.50 [0.019"]		
X°	±1°		
X°	±2°		



TITLE  
 ADAPTER, 4.3-10 MALE(SCREW TYPE) TO 4.3-10 FEMALE,  
 SPECIAL PIM VALUE 110dBm

VIEW	PART NO. ANO 471-472-1593		
	SIZE A3	SCALE 2.5:1	SHEET 1/1
			REV. B

4

3

2

1