

**MATERIAL & FINISH:**

1. BODY: BRASS, ALBALOY PLATED
2. COUPLING NUT: BRASS, ALBALOY PLATED
3. CENTER CONTACT: PHOSPHOR BRONZE, SILVER PLATED
4. INSULATOR: PEI
5. O-RING: MVQ(SILICONE RUBBER)

**ENVIRONMENTAL DATA:**

1. TEMPERATURE RANGE: -55°C~+90°C
2. 2011/65/EC (RoHS): COMPLIANT

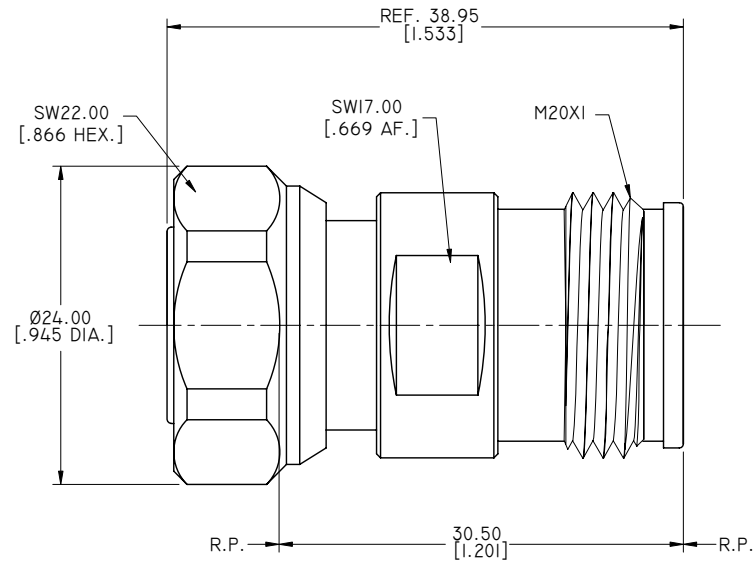
**APPLICABLE STANDARDS:**

1. INTERFACE ACCORDING TO: IEC61169-54

**ELECTRICAL DATA:**

1. IMPEDANCE: 50 Ω
2. FREQUENCY RANGE: DC~12 GHZ
3. VSWR: 1.10 MAX. AT DC~6GHZ
4. INSERTION LOSS: 0.05 X √F(GHZ)
5. PROOF VOLTAGE AT SEA LEVEL: 2.5KV
6. INSULATION RESISTANCE: 5000 MΩ
7. INTERMODULATION(3<sup>RD</sup> ORDER): <-160 DBC(2X43 DBM) AT 0.4~4 GHZ

REVISIONS			
REV.	DESCRIPTION	DATE	APPROVED
A	INITIAL RELEASE	01/21/16	J. QU
B	OUTLINE DRAWING CHANGED	10/15/16	J. QU



DRAWN	X. B. YANG	DATE	10/15/16
CHECKED	L. YANG	DATE	10/15/16
APPROVED	J. QU	DATE	10/15/16
UNLESS OTHERWISE SPECIFIED DIMENSIONS ARE IN MILLIMETERS. DIMENSIONS IN [ ] ARE IN INCHES FOR CUSTOMER REFERENCE ONLY UNLESS OTHERWISE SPECIFIED TOLERANCE ARE:		THESE DRAWINGS AND SPECIFICATIONS ARE THE PROPERTY OF ANOISON ELECTRONICS LTD AND SHOULD NOT BE USED WITHOUT WRITTEN PERMISSION COPYRIGHT © 2016 ANOISON ELECTRONICS LTD	
.XX	±0.13 [.005"]		
.X	±0.20 [.008"]		
X	±0.50 [.019"]		
.X°	±1°		
X°	±2°		



TITLE  
ADAPTER, 4.3-10 MALE(SCREW TYPE) TO 4.3-10 FEMALE

VIEW	PART NO. ANO 471-472-1363		
	SIZE A3	SCALE 2.5:1	SHEET 1/1
			REV. B