

4

3

2

1

**MATERIAL & FINISH**

- 1 BODY: BRASS, ALBALOY PLATED
- 2 CENTER CONTACT: PHOSPHOR BRONZE, SILVER PLATED
- 3 COUPLING NUT: BRASS, ALBALOY PLATED
- 4 INSULATOR: PTFE
- 5 RADIATOR: ALUMINIUM, BLACK

**ENVIRONMENTAL DATA:**

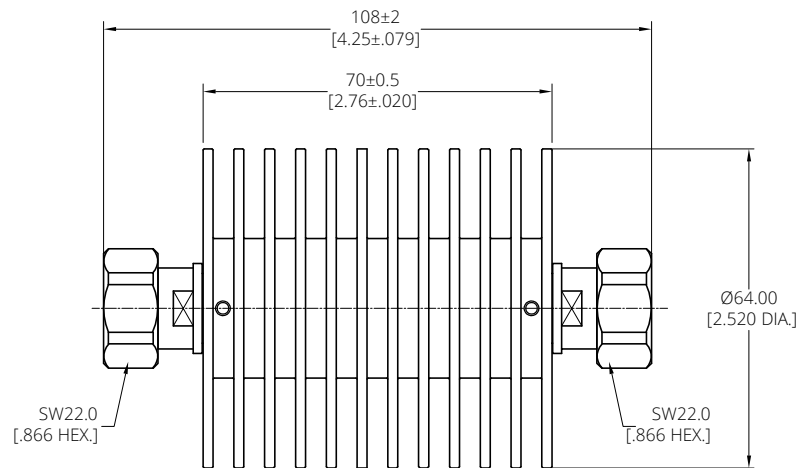
- 1 TEMPERATURE RANGE: -55°C~+125°C
- 2 2011/65/EU(RoHS) AND 2015/863/(RoHS): COMPLIANT
- 3 1999/2006/EC(REACH): COMPLIANT

**ELECTRICAL DATA:**

- 1 IMPEDANCE: 50 OHMS
- 2 FREQUENCY RANGE: DC~6 GHz
- 3 VSWR: 1.25 MAX.
- 4 AVERAGE POWER: MAXIMUM POWER 50 WATTS AVERAGE TO 25°C AMBIENT TEMPERATRUE, DERATED LINEARLY TO 5W @ 125°C
- 5 PEAK POWER: MAXIMUM POWER 250 W (5µS PLUSE WIDTH WITH THE MAXIMUM 2% DUTY CYCLE)
- 6 ATTENUATOR ACCURACY: SEE TABLE

REVISIONS

REV.	DESCRIPTION	DATE	APPROVED
A	INITIAL RELEASE	03/20/24	J. Q



PART NO.	ATTENUATION VALUES & ACCURACY			
	1~6 dB	7~10 dB	11~20 dB	21~30 dB
ANO 47-5001-XX	±0.3 DB	±0.5 DB	±0.6 DB	±0.8 DB

NOTE: XX REFER TO ATTENUATION VALUE IN DB

DRAWN	W. Y	DATE	03/20/24
CHECKED	X. Y	DATE	03/20/24
APPROVED	J. Q	DATE	03/20/24
UNLESS OTHERWISE SPECIFIED DIMENSIONS ARE IN MILLIMETERS, DIMENSIONS IN [ ] ARE IN INCHES FOR CUSTOMER REFERENCE ONLY UNLESS OTHERWISE SPECIFIED TOLERANCE ARE:		THESE DRAWINGS AND SPECIFICATIONS ARE THE PROPERTY OF ANOISON ELECTRONICS LTD AND SHOULD NOT BE USED WITHOUT WRITTEN PERMISSION COPYRIGHT © 2024 ANOISON ELECTRONICS LTD	
XX	±0.13 [005"]		
X	±0.20 [008"]		
x	±0.50 [019"]		
x°	±1°		
x"	±2°		



TITLE			
ATTENUATOR 4.3-10 MALE TO 4.3-10 MALE 50 WATTS BIDIRECTIONAL, DC-6GHz			
VIEW	PART NO.		
	ANO 47-5001-XX		
SIZE	SCALE	SHEET	REV.
A3	5:1	1/1	A

4

3

2

1